

Dimensions: 65mm x 140mm

OUTSIDE



This device complies with part 15 of the FCC rules. Operation is subject to the following two conditions:
1. This device may not cause harmful interference and
2. This device must accept any interference received, including interference that may cause undesired operation.

Note: This Equipment has been tested and found to comply with the limits for a class B digital device, pursuant to Part 15 of the Federal Communications Commission (FCC) rules. These limits are designed to provide reasonable protection against harmful interference in a residential installation. This equipment generates, uses, and can radiate radio frequency energy and, if not installed and used in accordance with the instructions, may cause harmful interference to radio communications. However, there is no guarantee that interference will not occur in a particular installation. If this equipment does cause harmful interference to radio or television reception, which can be determined by turning the equipment off and on, the user is encouraged to try to correct the interference by one or more of the following measures:

- 1.1. Reorient or relocate the receiving antenna
- 1.2. Increase the separation between the equipment and receiver
- 1.3. Connect the equipment into an outlet on a circuit different from that to which the receiver is connected
- 1.4. Consult the dealer or an experienced radio/TV technician for help

Cautions: changes or modifications not expressly approved by the party responsible for compliance could void the user's authority to operate the equipment.

This equipment complies with FCC radiation exposure limits set forth for an uncontrolled environment. This transmitter must not be co-located or operating in conjunction with any other antenna or transmitter.



CE DECLARATION OF CONFORMITY

Satechi declares that this product is in compliance with the essential requirements and other relevant provisions of applicable EC directives. For Europe, a copy of the Declaration of Conformity for this product may be obtained by visiting <https://satechi.net/support/doc>

CAN ICES-003 (B)/NMB-003(B)

This Class B digital apparatus complies with Canadian ICES-003. (Cet appareil numérique de la Classe B conforme à la norme NMB-003 du Canada).



NEED HELP?

BESOIN D'AIDE? | ¿NECESITA AYUDA? | BENÖTIGEN SIE HILFE? | HAI BISOGNO DI AIUTO? | YARDIMA MI İHTİYACINIZ VAR? | POTRZEBUJĘ POMOCY? | PRECISA DE AJUDA? | НУЖНА ПОМОЩЬ? | 助けが必要ですか? | 도움이 필요하신가요? | 需要幫助? | 需要幫助?

Manufacturer:
7365 Mission Gorge Rd. Ste. G
San Diego, CA 92120, USA
+1 858 268 1800
support@satechi.com
www.satechi.net

EU Authorized Representative:
Chemical Inspection and Regulation
Service Limited
CIRS, Regus Harcourt Centre
Dublin, Ireland, D02 HW77
+353 1 477 3710

UK Representative:
Chemical Inspection and Regulation
Service UK Ltd.
Unit 536, Salisbury House
London Wall, London, EC2M 5SQ
+44 20 3289 6395

S A T E C H I

USB-C TO LIGHTNING CABLE 10 INCHES

USER MANUAL

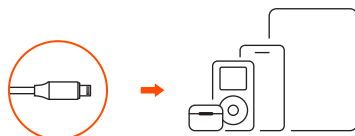


Manuel de l'utilisateur | Manual de usuario |
Benutzerhandbuch | Manuale utente | Kullanım
kılavuzu | Instrukcja obsługi | Manual de usuário |
Руководство пользователя | ユーザーマニュアル |
사용자 매뉴얼 | 使用者説明 | 用戶說明

INSIDE

PLUG & PLAY

BRANCHEZ & JOUEZ | CONECTAR Y USAR | STECKEN & SPIELEN | COLLEGARE E GIOCARE | TAK VE ÇALIŞTIR |
PODŁĄCZ I UŻYWAJ | CONECTE E USE | ПОДКЛЮЧИ И РАБОТАЙ |
プラグ&プレイ | 플러그 앤 플레이 | 即插即用 | 即插即用



1. Connect to your Apple device

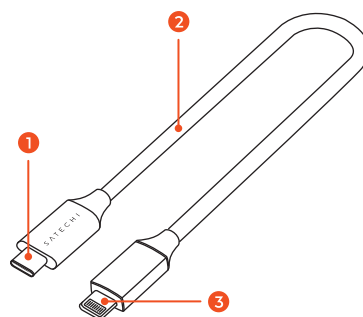
Connectez-vous à votre appareil Apple | Conecte a su dispositivo Apple | Stellen Sie eine Verbindung zu Ihrem Apple-Gerät her | Connettiti al tuo dispositivo Apple | Apple cihazınıza bağlanın | Połączenie z urządzeniem Apple | Conecte-se ao seu dispositivo Apple | Подключитесь к своему устройству Apple | Apple デバイスに接続する | Apple 기기에 연결 | 连接到您的蘋果設備 | 连接到您的苹果设备

2. Connect USB-C to a USB-C PD power source

Connectez USB-C à une source d'alimentation USB-C PD | Conecte el USB-C a una fuente de alimentación USB-C PD | Schließen Sie USB-C an eine USB-C PD-Stromquelle an | Collega USB-C a una fonte di alimentazione USB-C PD | USB-C'yi bir USB-C PD güç kaynağına bağlayın | Podłącz USB-C do źródła zasilania USB-C PD | Conecte o USB-C a uma fonte de alimentação USB-C PD | Подключите USB-C к источнику питания USB-C PD | USB-C를 USB-C PD 電源に接続 | USB-C를 USB-C PD 전원엔 연결 | 將 USB-C 连接到 USB-C PD 電源 | 將 USB-C 连接到 USB-C PD 电源

FUNCTIONS

FONCTIONS | FUNCIONES | FUNKTIONEN | FUNZIONI | FONKSIYONLAR | FUNKCJE | FUNÇÕES | ФУНКЦИИ | 機能 | 기능 | 功能 | 功能



1. USB-C Connector

Connecteur USB-C | Conector USB-C | USB-C-Anschluss | Connettore USB-C | USB-C Konektörü | Złącze USB-C | Conector USB-C | Разъем USB-C | USB-C 코넥타 | USB-C 커넥터 | USB-C 连接器 | USB-C 连接器

2. Durable Braided Cable

Câble Tressé Durable | Cable Trenzado Duradero | Strapazierfähiges Flecht-kabel | Cavo Intrecciato Resistente | Dayanıklı Örgülü Kablo | Trwały Kabel w Oplacie | Cabo Trançado Durável | Прочный Плетеный Кабель | 丈夫な編み込みケーブル | 튼튼한 뜨개질 케이블 | 耐用的編制線 | 耐用的的編制線

3. Lightning Connector

Connecteur Lightning | Conector Lightning | Lightning-Anschluss | Connettore Lightning | Lightning Konektörü | Złącze Lightning | Conector Lightning | Разъем Lightning | Lightning 코넥타 | Lightning 커넥터 | Lightning 连接器 | Lightning 连接器

IMPORTANT

IMPORTANT | IMPORTANTE | WICHTIG | IMPORTANTE | ÖNEMLİ | WAŻNY | IMPORTANTE | ВАЖНО | 重要 | 중요한 | 重要訊息 | 重要信息

• Data Transfer Speeds limited to USB 2.0 (480Mbps).

• Vitesses de transfert de données limitées à USB 2.0 (480Mbps).

• Velocidades de transferencia de datos limitadas a USB 2.0 (480Mbps).

• Datenübertragungsgeschwindigkeiten begrenzt auf USB 2.0 (480Mbps).

• Velocità di trasferimento dati limitate a USB 2.0 (480Mbps).

• USB 2.0 (480Mbps) ile sınırlı Veri Aktarım Hızları.

• Prędkość transferu danych ograniczona do USB 2.0 (480 Mb/s).

• Velocidades de transferência de dados limitadas a USB 2.0 (480Mbps).

• Скорость передачи данных ограничена USB 2.0 (480Mbps).

• データ転送速度は USB 2.0 (480Mbps) に制限されます。

• 데이터 전송 속도는 USB 2.0 (480Mbps)으로 제한됨.

• 數據傳輸速度限制為 USB 2.0 (480Mbps)。

• 数据传速度限制为 USB 2.0 (480Mbps)。