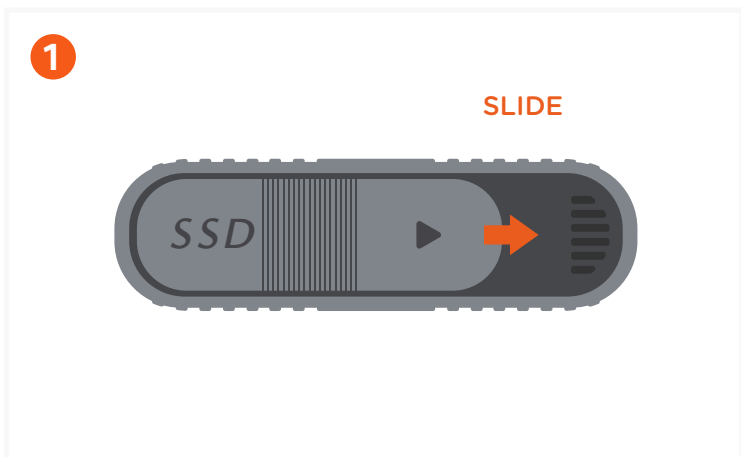


QUICK GUIDE

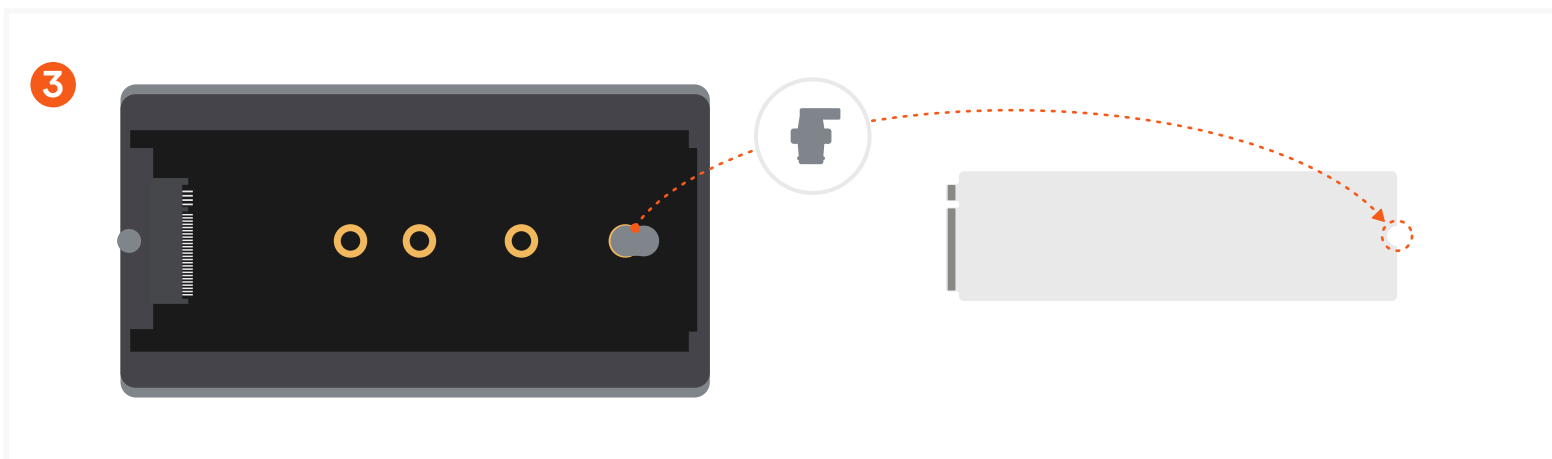
USB4 NVME SSD PRO ENCLOSURE



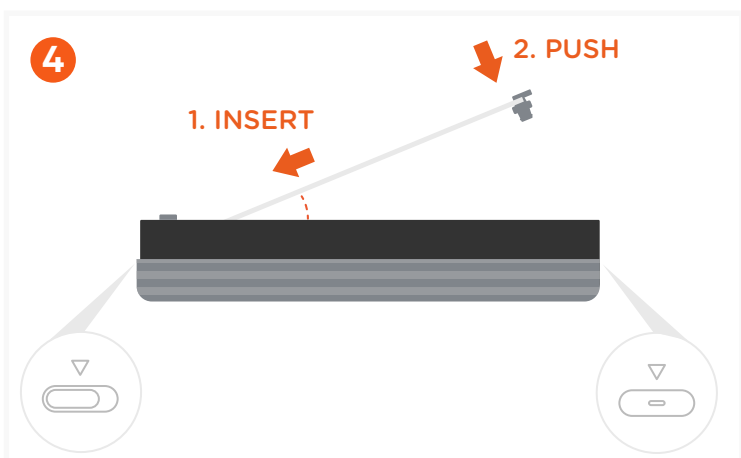
To install the SSD, slide the switch to the right to unlock the top door of the enclosure.



When the top opens lift to remove.



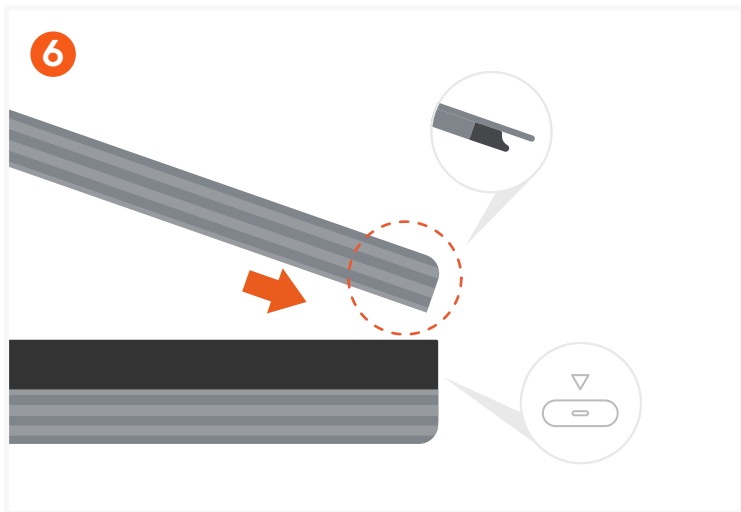
Remove the silicone pin and position it in the notch on the opposite side of the pins.



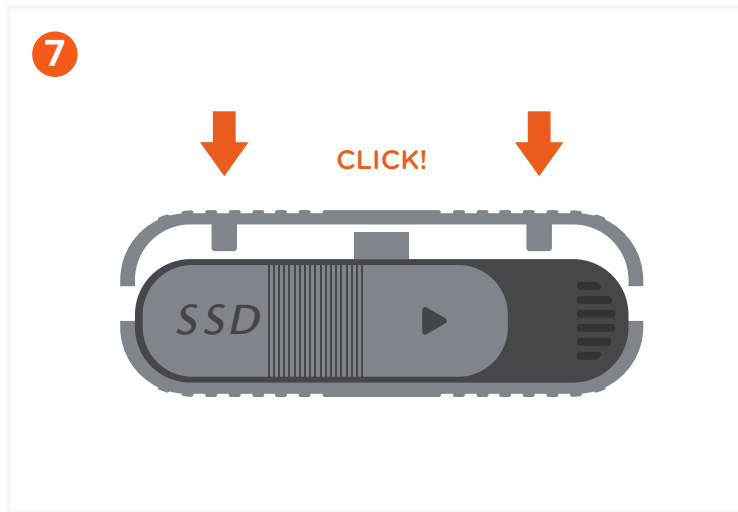
Insert the SSD (*not included*) at an angle and faceup with the pins aligned and push down on the silicone pin to secure it into place.



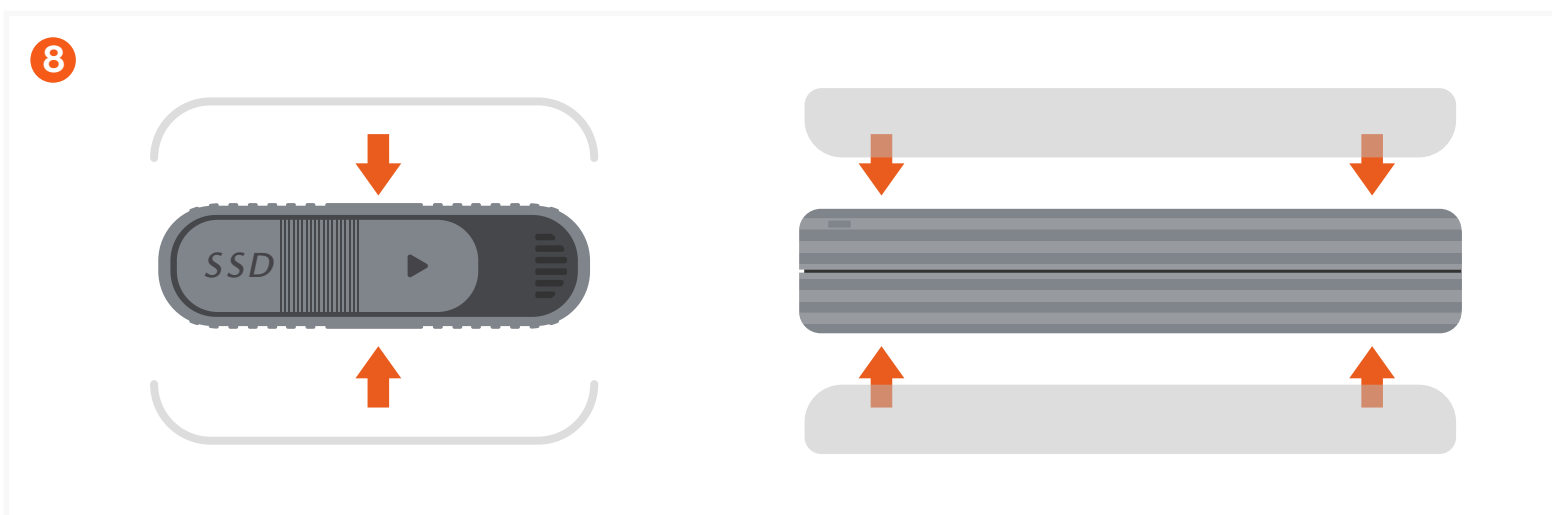
To apply the included thermal pad peel the blue film and attach the pad to the top cover of the enclosure. Remove the clear film from the thermal pad before closing the enclosure



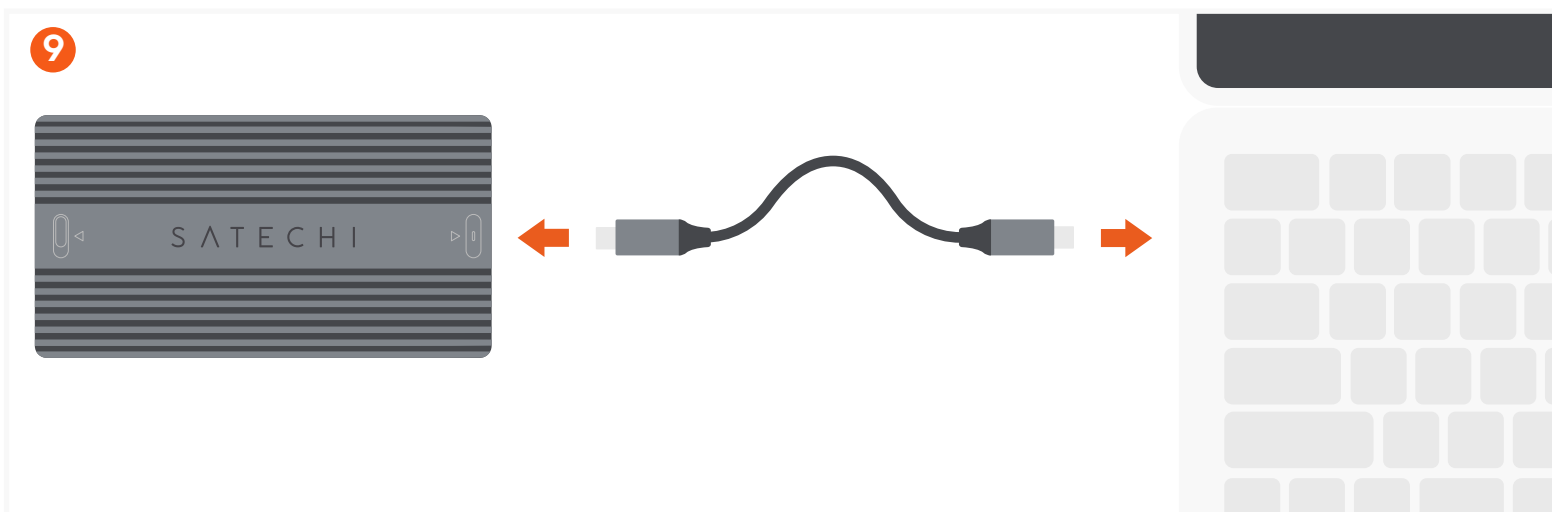
To reinstall the top cover align the side with the metal hooks toward the USB-C port.



Press the opposite side to latch. You should hear a clicking sound signifying that the enclosure top is locked into place.



To reinstall the included case press it into place.



Connect the enclosure to the host device with the included USB-C cable.

If using with a new Solid-State Drive, please ensure the drive is properly formatted to support your host device OS.