

Dimension: 85 x 135 mm

OUTSIDE

NEED HELP?

BESÖRN D'HAIDE? | ¿NECESITA AYUDA? | BENÖTTIGEN SIE HILFE? | HAI BISOGNO DI AIUTO? | YARDIMA MI İHTIYACINIZ VAR? | PRECISA DE AJUDA? | НУЖНА ПОМОЩЬ? | 助けが必要ですか? | 도움이 필요하신니까? | 需要幫助? | 需要幫助?

Manufacturer: 7365 Mission Gorge Rd. Ste. G San Diego, CA 92120, USA +1 858 268 1800 support@satechi.com www.satechi.net

UK Representative: CMS Distribution Ltd. CasOne Freeway Drive CASTLEFORD W Yorkshire WF10 5EJ, United Kingdom +44 20 8962 2500 EORT: GB117202262000



Authorized Representative: QIMA EUROPE AR GmbH Scheidenstraße 1 22083 Hamburg GERMANY

IMPORTANT

IMPORTANT | IMPORTANTE | WICHTIG | IMPORTANTE | ÖNEMLİ | IMPORTANTE | ВАЖНО | 重要 | 중요한 | 重要訊息 | 重要信息

The USB ports are not designed for charging, only for device syncing, data transfer and USB peripherals.

Les ports USB ne sont pas conçus pour le chargement, uniquement pour la synchronisation des appareils, le transfert de données et les périphériques USB.

Los puertos USB no están diseñados para cargar, solo para sincronización de dispositivos, transferencia de datos y periféricos USB.

USB-Anschlüsse sind nicht zum Aufladen ausgelegt, sondern nur zum Synchronisieren von Geräten, zur Datenübertragung und für USB-Peripheriegeräte.

Le porte USB non sono progettate per la ricarica, ma solo per la sincronizzazione dei dispositivi, il trasferimento dei dati e le periferiche USB.

USB bağlantı noktaları şarj için tasarlanmamıştır, yalnızca cihaz senkronizasyonu, veri aktarımı ve USB çevre birimleri için tasarlanmıştır.

As portas USB não foram projetadas para carregamento, apenas para sincronização de dispositivos, transferência de dados e periféricos USB.

Порты USB не предназначены для зарядки, только для синхронизации устройств, передачи данных и периферийных устройств USB.

USB 포트는 充電용 ではなく、デバイスの同期、データ転送、および USB 周辺機器専用に設計されています。

USB 포트는 충전용으로 설계되지 않았으며 장치 동기화, 데이터 전송 및 USB 주변 장치용으로만 설계되었습니다.

USB 端口不是为充电而设计的，仅用于设备同步、数据传输和 USB 外围设备。

USB 端口不是为充电而设计的，仅用于设备同步、数据传输和 USB 外围设备。

Upon initial installation, please ensure your SSD is properly formatted to your host device OS.

Après l'installation initiale, assurez-vous que votre SSD est correctement formaté pour le système d'exploitation de votre appareil hôte.

Después de la instalación inicial, asegúrese de que su SSD esté formateada correctamente para el sistema operativo de su dispositivo host.

Stellen Sie nach der Erstinstallation sicher, dass Ihre SSD für das Betriebssystem Ihres Hostgeräts richtig formatiert ist.

Dopo l'installazione iniziale, assicurati che il tuo SSD sia formattato correttamente per il sistema operativo del tuo dispositivo host.

İlk kurulumdan sonra, SSD'nizin ana cihazınızın işletim sistemi için uygun şekilde biçimlendirildiğinden emin olun.

Após a instalação inicial, verifique se o SSD está formatado corretamente para o sistema operacional do dispositivo host.

После первоначальной установки убедитесь, что ваш SSD правильно отформатирован для операционной системы вашего хост-устройства.

初期インストール後、SSD がホスト デバイスのオペレーティング システム用に適切にフォーマットされていることを確認してください。

초기 설치 후 SSD가 호스트 장치의 운영 체제에 맞게 올바르게 포맷되었는지 확인하십시오.

Initial installation, please ensure your SSD is properly formatted to your host device OS.

Initial installation, please ensure your SSD is properly formatted to your host device OS.

iPad will only sync via USB-A due to its power wattage requirement for syncing.

iPad ne se synchronizera que sur USB-A en raison de ses besoins en énergie pour la synchronisation.

El iPad solo se sincronizará a través de USB-A debido a su requisito de potencia para la sincronización.

Das iPad wird aufgrund seines Strombedarfs für die Synchronisierung nur über USB-A synchronisiert.

L'iPad si sincronizzerà solo tramite USB-A a causa dei requisiti di alimentazione per la sincronizzazione.

iPad, senkronizasyon için güç gereksinimi nedeniyle yalnızca USB-A üzerinden senkronize edilir.

O iPad só sincronizará por USB-A devido ao seu requisito de energia para sincronização.

iPad будет синхронизироваться только через USB-A из-за потребности в мощности для синхронизации.

iPad は、同期に電力が必要なため、USB-A 経由でのみ同期します。

iPad는 동기화를 위한 전원 요구 사항으로 인해 USB-A를 통해서만 동기화됩니다.

由于同步的电源要求，iPad 只能通过 USB-A 进行同步。

When connecting headphones to audio port, please make sure to adjust sound output under System Settings > Sound > Output > USB PnP Audio Device.

Lorsque vous connectez un casque au port audio, assurez-vous de régler la sortie audio sous Paramètres système > Son > Sortie > Périphérique audio USB PnP.

Cuando se conecten auriculares al puerto de audio, por favor, asegúrese de configurar la salida del sonido en Ajustes del Sistema > Sonido > Salida > Dispositivo de Audio USB PnP.

Wenn Sie Kopfhörer an den Audioanschluss anschließen, stellen Sie bitte sicher, dass Sie die Tonausgabe unter Systemeinstellungen > Ton > Ausgabe > USB-PnP-Audiogerät anpassen.

In seguito alla connessione del jack per le cuffie, per favore controllare di impostare l'output del suono sotto Impostazioni di sistema > Suono > Output > Dispositivo USB PnP Audio.

Kulaklıkları ses portuna bağlarken lütfen Sistem Ayarları > Ses > Çıktı > USB PnP Ses Cihazı içerisinde ses çıktısını ayarladığınızdan emin olun.

Ao conectar fones de ouvido à porta de áudio, por favor, ajuste a saída de áudio em Ajustes > Som > Saída > Dispositivo de Áudio USB PnP.

При подключении наушников к аудиопорту пожалуйста настройте вывод звука в разделе «Системные настройки» > «Звук» > «Вывод» > «Аудиоустройство USB PnP».

音声ポートにヘッドホンを接続する時は、システム設定>サウンド>出力先> USB PnP Audio Deviceを選択するように下さい。

iPad는 동기화를 위한 전원 요구 사항으로 인해 USB-A를 통해서만 동기화됩니다.

當耳機連接到音頻端口時，請確保在「系統設置>聲音>輸出>USB PnP音頻設備」下調整聲音輸出。

当耳机连接到音频端口时，请确保在「系统设置>声音>输出>USB PnP音频设备」下调整声音输出。

SATECHI

STAND & HUB FOR MAC MINI/STUDIO WITH NVME SSD ENCLOSURE

USER MANUAL

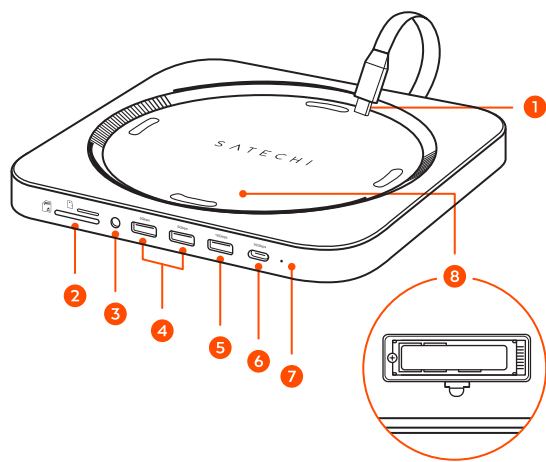


Manuel de l'utilisateur | Manual de Usuario | Benutzerhandbuch | Manuale utente | Kullanım Kılavuzu | Manual de usuário | Руководство пользователя | ユーザーマニュアル | 사용자 매뉴얼 | 使用者説明 | 用户说明

INSIDE

FUNCTIONS

FONCTIONS | FUNCIONES | FUNKTIONEN | FUNZIONI | FONKSIYONLAR | FUNÇÕES | ФУНКЦИИ | 機能 | 기능 | 功能 | 功能



1. Built-in USB-C Connector

Connecteur USB-C intégré | Conector USB-C integrado | Integrierter USB-C-Anschluss | Connettore USB-C integrato | Dahili USB-C Konektörü | Conector USB-C integrado | Встроенный порт USB-C | Билт-ин USB-C Коネクта | 내장 USB-C 커넥터 | 內置 USB-C 連接器 | 內置 USB-C 連接器

2. SD & Micro SD Card Slots (UHS-I Speeds)

Fentes cartes SD et Micro SD | Ranuras para tarjeta SD y Micro SD | SD- und Micro-SD-Kartensteckplätze | Slot per schede SD e Micro SD | SD ve Mikro SD kart yuvaları | Slots para cartões SD e Micro SD | слоты для SD и Micro SD карт | SD & Micro SD 카드 슬롯 | SD & Micro SD카드 슬롯 | SD & Micro SD卡槽 | SD & Micro SD卡槽

3. Audio Jack Port

Port de prise audio | Puerto de audio | Audioanschluss | Porta audio jack | Ses Jaki Bağlantı Noktası | Porta de áudio | Аудиоразъем Порт | 音聲ジャックポート | 음성 잭 포트 | 音頻插孔端口 | 音頻插孔端口

4. 2X USB-A 3.2 Gen 1 Ports (5 Gbps)

Ports USB-A 3.2 Gen 1 | Puertos USB-A 3.2 Gen 1 | USB-A 3.2 Gen 1-Anschlüsse | Porte USB-A 3.2 Gen 1 | USB-A 3.2 Gen 1 Portları | Portas USB-A 3.2 Gen 1 | USB-A 3.2 Gen 1 порты | USB-A 3.2 Gen 1 포트 | USB-A 3.2 Gen 1 포트 | USB-A 3.2 Gen 1 端口 | USB-A 3.2 Gen 1 端口

5. USB-A 3.2 Gen 2 Port (10 Gbps)

Port USB-A 3.2 Gen 2 | Puerto USB-A 3.2 Gen 2 | USB-A 3.2 Gen 2-Anschluss | Porta USB-A 3.2 Gen 2 | USB-A 3.2 Gen 2 Portu | Porta USB-A 3.2 Gen 2 | Порт USB-A 3.2 Gen 2 | USB-A 3.2 Gen 2 포트 | USB-A 3.2 Gen 2 포트 | USB-A 3.2 Gen 2 端口 | USB-A 3.2 Gen 2 端口

6. USB-C 3.2 Gen 2 Port (10 Gbps)

Port USB-C 3.2 Gen 2 | Puerto USB-C 3.2 Gen 2 | USB-C 3.2 Gen 2-Anschluss | Porta USB-C 3.2 Gen 2 | USB-C 3.2 Gen 2 Portu | Porta USB-C 3.2 Gen 2 | Порт USB-C 3.2 Gen 2 | USB-C 3.2 Gen 2 포트 | USB-C 3.2 Gen 2 포트 | USB-C 3.2 Gen 2 端口 | USB-C 3.2 Gen 2 端口

7. LED Indicator

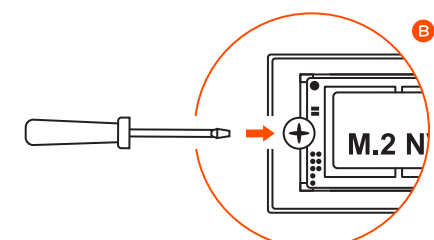
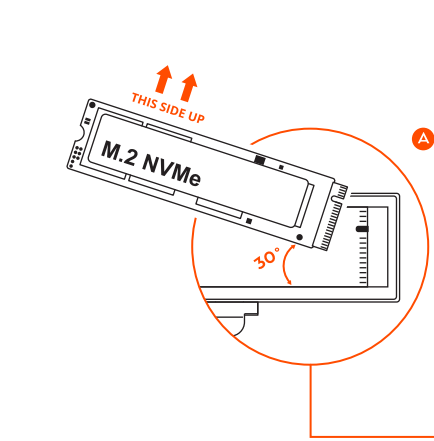
Indicateur LED | Indicador LED | LED-Anzeige | Indicateur LED | LED Göstergesi | Indicador LED | Светодиодный индикатор | LED ンジゲータ | LED 표시등 | LED 指示燈 | LED指示灯

8. M.2 NVMe & SATA SSD Enclosure

Boîtier SSD M.2 NVMe et SATA | Caja SSD M.2 NVMe y SATA | M.2 NVMe- und SATA-SSD-Gehäuse | Alloggiamento SSD M.2 NVMe e SATA | M.2 NVMe ve SATA SSD Muhafazası | Compartimento SSD M.2 NVMe e SATA | Корпус SSD M.2 NVMe и SATA | M.2 NVMe および SATA SSD エンクロージャー | M.2 NVMe 및 SATA SSD 케이스 | M.2 NVMe и SATA SSD 外殼 | M.2 NVMe 和 SATA SSD 外壳

SSD INSTALLATION

SSD INSTALLATION | INSTALACIÓN SSD | SSD-INSTALLATION | INSTALLAZIONE SSD | SSD KURULUMU | INSTALAÇÃO SSD | УСТАНОВКА SSD | SSD のインストール | SSD 설치 | SSD安裝 | SSD安裝

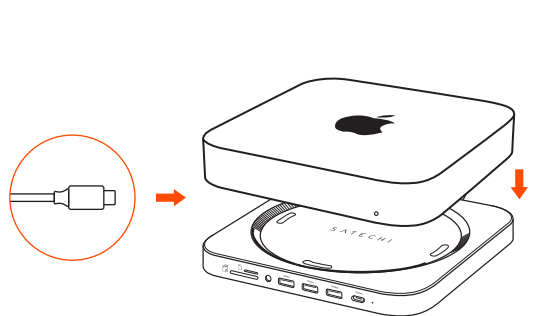


NOTE:

COMPATIBLE WITH M.2 NVME AND SATA SSD DRIVE • COMPATIBLE AVEC LES DISQUES SSD M.2 NVME ET SATA • COMPATIBLE CON UNIDADES M.2 NVME Y SATA SSD • KOMPATIBEL MIT M.2 NVME UND SATA SSD-LAUFWERK • COMPATIBILE CON UNITÀ SSD M.2 NVME E SATA • M.2 NVME VE SATA SSD SÜRUCÜ İLE UYUMLU • COMPATÍVEL COM UNIDADE SSD M.2 NVME E SATA • СОВМЕСТИМОСТЬ С ТВЕРДОТЕЛЬНЫМИ НАКОПИТЕЛЯМИ M.2 NVME И SATA • M.2 NVME および SATA SSD ドライブと互換性あり • M.2 NVME 및 SATA SSD 드라이브와 호환 가능 • 兼容 M.2 NVME 和 SATA SSD 驅動器 • 兼容 M.2 NVME 和 SATA SSD 驅動器

PLUG & PLAY

BRANCHEZ & JOUEZ | CONECTAR Y USAR | STECKEN & SPIELEN | COLLEGARE E GIOCARÉ | TAK VE ÇALIŞTIR | CONECTE E USE | ПОДКЛЮЧИ И РАБОТАЙ | プラグ&プレイ | 플러그 앤 플레이 | 即插即用 | 即插即用



1. Connect to your Mac Mini

Connectez votre Mac Mini | Conecte a su Mac Mini | Verbinde deinen Mac Mini | Collega il tuo Mac Mini | Mac Mini'nizi bağlayın | Conecte seu Mac Mini | Подключите свой Mac Mini | Mac Mini を接続する | Mac Mini 연결 | 連接您的 Mac Mini | 連接您的 Mac Mini

2. Connect your devices

Connectez vos appareils | Conecte sus dispositivos | Schließen Sie Ihre Geräte an | Collega i tuoi dispositivi | Cihazlarınızı bağlayın | Conecte seus dispositivos | Подключите свои устройства | お使いのデバイスを接続 | 기기 연결 | 連接到您的裝置 | 连接到您的设备



This device complies with part 15 of the FCC rules. Operation is subject to the following two conditions: 1. This device may not cause harmful interference and 2. This device must accept any interference received, including interference that may cause undesired operation.

Note: This Equipment has been tested and found to comply with the limits for a class B digital device, pursuant to Part 15 of the Federal Communications Commission (FCC) rules. These limits are designed to provide reasonable protection against harmful interference in a residential installation. This equipment generates, uses, and can radiate radio frequency energy and, if not installed and used in accordance with the instructions, may cause harmful interference to radio communications. However, there is no guarantee that interference will not occur in a particular installation. If this equipment does cause harmful interference to radio or television reception, which can be determined by turning the equipment off and on, the user is encouraged to try to correct the interference by one or more of the following measures: 1.1. Reorient or relocate the receiving antenna 1.2. Increase the separation between the equipment and receiver 1.3. Connect the equipment into an outlet on a circuit different from that to which the receiver is connected 1.4. Consult the dealer or an experienced radio/TV technician for help

Changes or modifications not expressly approved by the manufacturer could void the user's authority operate the equipment.

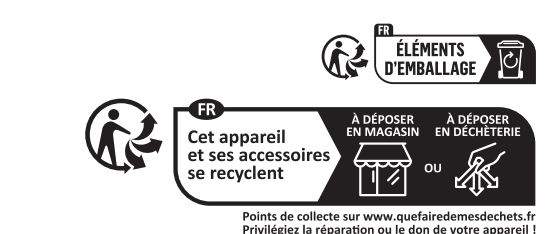
CE DECLARATION OF CONFORMITY

Satechi declares that this product is in compliance with the essential requirements and other relevant provisions of applicable EC directives. For Europe, a copy of the Declaration of Conformity for this product may be obtained by visiting https://satechi.net/support/doc

WEEE Information

According to the WEEE (Waste Electrical and Electronic Equipment) Directive, do not dispose of this product as household waste or commercial waste. Waste electrical and electronic equipment should be appropriately collected and recycled as required by practices established for your country. For information on recycling of this product, please contact your local authorities, your household waste disposal service, or the shop where you purchased the product.

CAN ICES-003 (B)/NMB-003(B) This Class B digital apparatus complies with Canadian ICES-003. (Cet appareil numérique de la Classe B conforme à la norme NMB-003 du Canada)



S A T E C H I

HUBS AND ADAPTERS GLOBAL LIMITED WARRANTY AND SAFETY GUIDE

Hubs et adaptateurs - Garantie mondiale limitée et guide de sécurité

Hubs y adaptadores - Garantía global limitada y guía de seguridad

Hubs und Adapter - Weltweit begrenzte Garantie und Sicherheitsleitfaden

Hubs en adapters - Wereldwijde beperkte garantie en veiligheidsgids

Hub e adattatori - Garanzia globale limitata e guida alla sicurezza

Hublar ve Adaptörler - Global sınırlı garanti ve güvenlik kılavuzu

Huby i adaptery - Globalna ograniczona gwarancja i instrukcja bezpieczeństwa

Hubs e adaptadores - Garantia global limitada e guia de segurança

Втулки и адаптеры - Глобальная ограниченная гарантия и руководство по безопасности

ハブとアダプター - 世界限定保証と安全ガイド

허브 및 어댑터 - 글로벌 제한 보증 및 안전 가이드

穀和轉接頭 - 全球有限保固及安全指南

穀和转接头 - 全球有限保固及安全指南

EN

Limited Warranty Statement

Satechi warrants that its hardware products shall be free from defects in materials and workmanship under normal use for a period of 2 years from the date of purchase. This warranty is nontransferable and applies only to products purchased from authorized sellers by the original purchaser. For purchases made through Amazon or other third-party retailers, warranty claims should be directed to the seller or their authorized distributor. This limited warranty provides specific legal rights, and you may have additional rights that vary under local laws. For complete details on warranty coverage, please visit <https://satechi.net/refunds-and-returns>



Warning and Safety Information:

- 1. Read safety and health information**
- 2. Electrical safety warning:** Ensure the use of equipment that meets the specified standards to avoid the risk of electrical fires or shock.
- 3. Heat-related warning:** Prolonged heavy use may cause the product to become very warm. Ensure proper ventilation.
- 4. Compatibility warning:** Incompatible devices may cause the product to malfunction or become damaged.
- 5. Child safety warning:** Keep this product out of the reach of children to prevent choking or accidental ingestion of small parts.
- 6. Compliance notice:** This product complies with GPSR and relevant safety standards, ensuring safe usage.
- 7. Environmental and recycling notice:** Dispose of old products in accordance with local environmental regulations to reduce environmental impact.



FCC Statement

This device complies with part 15 of the FCC Rules. Operation is subject to the following two conditions: (1) This device may not cause harmful interference, and (2) this device must accept any interference received, including interference that may cause undesired operation.

Any Changes or modifications not expressly approved by the party responsible for compliance could void the user's authority to operate the equipment.

Note: This equipment has been tested and found to comply with

the limits for a Class B digital device, pursuant to part 15 of the FCC Rules. These limits are designed to provide reasonable protection against harmful interference in a residential installation. This equipment generates uses and can radiate radio frequency energy and, if not installed and used in accordance with the instructions, may cause harmful interference to radio communications. However, there is no guarantee that interference will not occur in a particular installation.

CAN ICES-003 (B)/NMB-003(B)

This device complies with Industry Canada license-exempt RSS standard(s). Operation is subject to the following two conditions: (1) this device may not cause interference, and (2) this device must accept any interference, including interference that may cause undesired operation of the device. This equipment complies with IC radiation. This equipment should be installed and operated with minimum distance 20cm between the radiator and your body.



CE Declaration of Conformity

Satechi declares that this product is in compliance with the essential requirements and other relevant provisions of applicable EC directives. For Europe, a copy of the Declaration of Conformity for this product may be obtained by visiting

<https://satechi.net/support/doc>



WEEE Information

According to the WEEE (Waste Electrical and Electronic Equipment) Directive, do not dispose of this product as household waste or commercial waste. Waste electrical and electronic equipment should be appropriately collected and recycled as required by practices established for your country. For information on recycling of this product, please contact your local authorities, your household waste disposal service, or the shop where you purchased the product.

FR

Déclaration de Garantie Limitée

Satechi garantit que ses produits matériels sont exempts de défauts de matériaux et de fabrication dans des conditions

normales d'utilisation pendant une période de deux ans à compter de la date d'achat. Cette garantie n'est pas transférable et ne s'applique qu'aux produits achetés auprès de vendeurs agréés par l'acheteur initial. Pour les achats effectués par l'intermédiaire d'Amazon ou d'autres détaillants tiers, les réclamations au titre de la garantie doivent être adressées au vendeur ou à son distributeur agréé. Cette garantie limitée fournit des droits légaux spécifiques, et vous pouvez avoir des droits supplémentaires qui varient selon les lois locales. Pour plus de détails sur la couverture de la garantie, veuillez consulter le site <https://satechi.net/refunds-and-returns>



Avertissement et Informations de Sécurité :

- 1. Lire les informations relatives à la sécurité et à la santé**
- 2. Avertissement relatif à la sécurité électrique :** Veillez à utiliser un équipement conforme aux normes spécifiées afin d'éviter tout risque d'incendie ou d'électrocution.
- 3. Avertissement relatif à la chaleur :** Une utilisation intensive et prolongée peut entraîner une forte augmentation de la température du produit. Veillez à une bonne ventilation.
- 4. Avertissement de compatibilité :** Des appareils incompatibles peuvent entraîner des dysfonctionnements ou endommager le produit.
- 5. Avertissement relatif à la sécurité des enfants :** Gardez ce produit hors de portée des enfants afin d'éviter tout risque d'étouffement ou d'ingestion accidentelle de petites pièces.
- 6. Avis de conformité :** ce produit est conforme au GPSR et aux normes de sécurité applicables, ce qui garantit une utilisation sûre.
- 7. Avis sur l'environnement et le recyclage :** Éliminez les anciens produits conformément aux réglementations environnementales locales afin de réduire l'impact sur l'environnement.

CAN ICES-003 (B)/NMB-003(B)

Cet appareil est conforme aux normes CNR d'Industrie Canada applicables aux appareils radio exempts de licence. Son fonctionnement est soumis aux deux conditions suivantes : (1) cet appareil ne doit pas causer d'interférences, et (2) cet appareil doit accepter toute interférence, y compris les interférences pouvant provoquer un fonctionnement indésirable de l'appareil. Cet équipement est conforme au radiation IC. Cet équipement doit être installé et utilisé à une distance minimale de 20 cm entre le radiateur et l'utilisateur.



Déclaration de Conformité CE

Satechi déclare que ce produit est conforme aux exigences essentielles et aux autres dispositions pertinentes des directives CE applicables. Pour l'Europe, une copie de la déclaration de conformité de ce produit peut être obtenue à l'adresse suivante : <https://satechi.net/support/doc>



Informations WEEE

Conformément à la directive WEEE (déchets d'équipements électriques et électroniques), ne jetez pas ce produit avec les déchets domestiques ou commerciaux. Les déchets d'équipements électriques et électroniques doivent être collectés et recyclés de manière appropriée, conformément aux pratiques en vigueur dans votre pays. Pour plus d'informations sur le recyclage de ce produit, veuillez contacter les autorités locales, le service d'élimination des ordures ménagères ou le magasin où vous avez acheté le produit.

ES

Declaración de Garantía Limitada

Satechi garantiza que sus productos de hardware estarán libres de defectos de materiales y mano de obra en condiciones normales de uso durante un periodo de 2 años a partir de la fecha de compra. Esta garantía es intransferible y sólo aplica a los productos adquiridos de vendedores autorizados por el comprador inicial. Para las compras realizadas a través de Amazon u otros distribuidores externos, las reclamaciones de garantía deben dirigirse al vendedor o distribuidor autorizado. Esta garantía limitada proporciona derechos legales específicos, y usted puede tener derechos adicionales que varían según las leyes locales. Para obtener información completa sobre la cobertura de la garantía, visite <https://satechi.net/refunds-and-returns>



Advertencia e Información de Seguridad:

1. **Lea la información sobre seguridad y salud**
2. **Advertencia de seguridad sobre electricidad:** Asegúrese de utilizar equipos que cumplan las normas especificadas para evitar el riesgo de incendios o descargas eléctricas.

3. Advertencia relacionada con temperaturas altas: El uso intensivo prolongado puede hacer que el producto se caliente mucho. Asegúrese de que haya una ventilación adecuada.

4. Advertencia de compatibilidad: Los dispositivos no compatibles pueden hacer que el producto funcione mal o se dañe.

5. Advertencia de seguridad para niños: Mantenga este producto fuera del alcance de los niños para evitar asfixia o ingestión accidental de piezas pequeñas. Se recomienda la asistencia de un profesional para las reparaciones del dispositivo.

6. Aviso de conformidad: Este producto cumple con GPSR y las normas de seguridad pertinentes, lo que garantiza un uso seguro.

7. Aviso sobre medio ambiente y reciclaje: Deseche los productos usados de acuerdo con la reglamentación medioambiental local para minimizar el impacto ambiental.



Declaración de Conformidad CE

Satechi declara que este producto cumple con los requisitos esenciales y otras disposiciones relevantes de las directivas CE aplicables. Para Europa, se puede obtener una copia de la Declaración de conformidad de este producto visitando <https://satechi.net/support/doc>



Información WEEE

De acuerdo con la Directiva WEEE (Residuos de Aparatos Eléctricos y Electrónicos), no deseche este producto como residuo doméstico o comercial. Los equipos eléctricos y electrónicos de desecho deben recogerse y reciclarse de manera adecuada según lo exijan las prácticas establecidas para su país. Para obtener información sobre el reciclaje de este producto, comuníquese con las autoridades locales, con el servicio de eliminación de desechos de su hogar o con la tienda donde adquirió el producto.

DE

Eingeschränkte Garantieerklärung

Satechi garantiert, dass seine Hardware-Produkte bei normalem Gebrauch für einen Zeitraum von 2 Jahren ab dem Kaufdatum frei von Material- und Verarbeitungsfehlern sind. Diese Garantie ist nicht übertragbar und gilt nur für Produkte, die vom

ursprünglichen Käufer bei autorisierten Verkäufern gekauft wurden. Bei Käufen, die über Amazon oder andere Drittanbieter getätigt wurden, sollten Garantieansprüche an den Verkäufer oder dessen autorisierten Händler gerichtet werden. Diese eingeschränkte Garantie bietet spezifische gesetzliche Rechte, und Sie haben möglicherweise zusätzliche Rechte, die je nach örtlichen Gesetzen variieren. Vollständige Informationen zur Garantieabdeckung finden Sie unter <https://satechi.net/refunds-and-returns>



Warn- und Sicherheitshinweise:

- 1. Lesen sie die sicherheits- und gesundheitsinformationen**
- 2. Warnhinweis zur elektrischen sicherheit:** Achten Sie auf die Verwendung von Geräten, die den angegebenen Normen entsprechen, um die Gefahr von elektrischen Bränden oder Stromschlägen zu vermeiden.
- 3. Warnung vor hitzeentwicklung:** Bei längerem, intensivem Gebrauch kann das Gerät sehr warm werden. Sorgen Sie für ausreichende Belüftung.
- 4. Warnung vor kompatibilität:** Inkompatible Geräte können zu Fehlfunktionen oder Beschädigungen des Geräts führen.
- 5. Kindersicherheitswarnung:** Bewahren Sie dieses Produkt außerhalb der Reichweite von Kindern auf, um ein Verschlucken oder ein versehentliches Verschlucken von Kleinteilen zu verhindern.
- 6. Hinweis zur konformität:** Dieses Produkt entspricht den GPSR und den einschlägigen Sicherheitsnormen, um eine sichere Verwendung zu gewährleisten.
- 7. Umwelt- und recycling-hinweis:** Entsorgen Sie alte Produkte in Übereinstimmung mit den örtlichen Umweltvorschriften, um die Umweltbelastung zu minimieren.



CE-Konformitätserklärung

Satechi erklärt, dass dieses Produkt den essenziellen Vorgaben und anderen relevanten Vorschriften der entsprechenden EC Richtlinien entspricht. Für Europa können Sie eine Kopie der Konformitätserklärung für dieses Produkt auf

<https://satechi.net/support/doc>



WEEE-Richtlinie

Gemäß der WEEE-Richtlinie (Entsorgung elektrischer und elektronischer Geräte) darf dieses Gerät nicht als Restmüll oder gewerblicher Müll entsorgt werden. Elektrische und elektronische Geräte müssen im Einklang mit den in Ihrem Land geltenden Vorschriften angemessen entsorgt und recycelt werden. Informationen zum Recycling für dieses Produkt erhalten Sie bei Ihren örtlichen Behörden, ihrem Entsorger oder dem Geschäft, in dem Sie dieses Gerät gekauft haben.

NL

Beperkte garantieverklaring

Satechi garandeert dat haar hardwareproducten vrij zijn van materiaal- en fabricagefouten bij normaal gebruik voor een periode van 2 jaar vanaf de aankoopdatum. Deze garantie is niet overdraagbaar en geldt alleen voor producten die door de oorspronkelijke koper bij erkende verkopers zijn gekocht. Voor aankopen via Amazon of andere externe verkopers moeten garantieclaims worden gericht aan de verkoper of diens geautoriseerde distributeur. Deze beperkte garantie biedt specifieke wettelijke rechten en u kunt aanvullende rechten hebben die variëren onder lokale wetgeving. Ga voor volledige informatie over de garantiedekking naar <https://satechi.net/refunds-and-returns>



Waarschuwing en veiligheidsinformatie:

- 1. Lees de veiligheids- en gezondheidsinformatie**
- 2. Waarschuwing elektrische veiligheid:** Zorg voor het gebruik van apparatuur die voldoet aan de gespecificeerde normen om het risico op elektrische branden of schokken te voorkomen.
- 3. Waarschuwing in verband met warmte:** Bij langdurig intensief gebruik kan het product erg warm worden. Zorg voor goede ventilatie.
- 4. Waarschuwing voor compatibiliteit:** Incompatibele apparaten kunnen storingen of schade aan het product veroorzaken.
- 5. Kindveiligheidswaarschuwing:** Houd dit product buiten het bereik van kinderen om verstikking of het per ongeluk inslikken van kleine onderdelen te voorkomen.
- 6. Kennisgeving van naleving:** Dit product voldoet aan GPSR en relevante veiligheidsnormen, waardoor een veilig gebruik is

gegarandeerd.

7. Milieu- en recyclingkennisgeving: Gooi oude producten weg in overeenstemming met de plaatselijke milieuvorschriften om de impact op het milieu te beperken.

CE Conformiteitsverklaring

Satechi verklaart dat dit product voldoet aan de essentiële eisen en andere relevante bepalingen van de toepasselijke EG-richtlijnen. Voor Europa kan een kopie van de conformiteitsverklaring voor dit product worden verkregen door te gaan naar

<https://satechi.net/support/doc>



WEEE-informatie

Volgens de WEEE-richtlijn (Waste Electrical and Electronic Equipment) mag dit product niet worden afgevoerd als huishoudelijk of commercieel afval. Afgedankte elektrische en elektronische apparatuur moet op de juiste manier worden ingezameld en gerecycled, zoals vereist door de praktijken in uw land. Voor informatie over het recyclen van dit product kunt u contact opnemen met de plaatselijke autoriteiten, uw huisvuilophaaldienst of de winkel waar u het product hebt gekocht.

IT

Dichiarazione di Garanzia Limitata

Satechi garantisce che i suoi prodotti hardware sono privi di difetti nei materiali e nella lavorazione in condizioni di uso normale per un periodo di 2 anni dalla data di acquisto. Questa garanzia non è trasferibile e si applica solo ai prodotti acquistati da venditori autorizzati dall'acquirente originale. Per gli acquisti effettuati tramite Amazon o altri rivenditori terzi, le richieste di garanzia devono essere indirizzate al venditore o al suo distributore autorizzato. La presente garanzia limitata fornisce diritti legali specifici e l'utente potrebbe avere ulteriori diritti che variano in base alle leggi locali. Per informazioni complete sulla copertura della garanzia, visitare il sito

<https://satechi.net/refunds-and-returns>



Avvertenze e informazioni sulla sicurezza:

1. Leggere le informazioni sulla sicurezza e sulla salute

2. Avvertenza sulla sicurezza elettrica: Assicurarsi di utilizzare apparecchiature conformi agli standard specificati per evitare il rischio di incendi o scosse elettriche.

3. Avvertenza sul calore: L'uso prolungato e intenso del prodotto può provocarne il surriscaldamento. Assicurare una ventilazione adeguata.

4. Avviso di compatibilità: Dispositivi incompatibili possono causare il malfunzionamento o il danneggiamento del prodotto.

5. Avvertenza sulla sicurezza dei bambini: Tenere questo prodotto fuori dalla portata dei bambini per evitare il soffocamento o l'ingestione accidentale di piccole parti.

6. Avviso di conformità: Questo prodotto è conforme al GPSR e agli standard di sicurezza pertinenti, garantendo un utilizzo sicuro.

7. Avviso ambientale e di riciclaggio: Smaltire i vecchi prodotti in conformità alle normative ambientali locali per ridurre al minimo l'impatto ambientale.



Dichiarazione di Conformità CE

Satechi dichiara che questo prodotto è conforme ai requisiti essenziali e alle altre disposizioni pertinenti delle direttive CE applicabili. Per l'Europa, è possibile ottenere una copia della Dichiarazione di conformità di questo prodotto visitando <https://satechi.net/support/doc>



Informazioni sui RAEE

In conformità con la Direttiva WEEE (Rifiuti di Apparecchiature elettriche ed Elettroniche), non smaltire questo prodotto come rifiuto domestico o commerciale. I rifiuti di apparecchiature elettriche ed elettroniche devono essere raccolti e riciclati nel modo appropriato richiesto dalle pratiche stabilite per il proprio paese. Per ottenere informazioni sul riciclaggio di questo prodotto, contattare le autorità locali, il servizio di smaltimento rifiuti della propria abitazione o il negozio in cui è stato acquistato il prodotto.

TR

Sınırlı Garanti Bildirimi

Satechi, donanım ürünlerinin satın alma tarihinden itibaren 2 yıl süreyle normal kullanım koşullarında malzeme ve işçilik kusurları içermeyeceğini garanti eder. Bu garanti devredilemez ve yalnızca

ilk alıcı tarafından yetkili satıcılardan satın alınan ürünler için geçerlidir. Amazon veya diğer üçüncü taraf perakendeciler aracılığıyla yapılan satın alımlarda, garanti talepleri satıcıya veya yetkili distribütörüne yönlendirilmelidir. Bu sınırlı garanti belirli yasal haklar sağlar ve yerel yasalara göre değişen ek haklarınız olabilir. Garanti kapsamıyla ilgili tüm ayrıntılar için lütfen <https://satechi.net/refunds-and-returns> adresini ziyaret edin.

Uyarı ve Güvenlik Bilgileri:

- Güvenlik ve sağlık bilgilerini okuyun**
- Elektrik güvenliği uyarısı:** Elektrik yangını veya çarpması riskini önlemek için belirtilen standartlara uygun ekipman kullanıldığından emin olun.
- Isı ile ilgili uyarı:** Uzun süreli yoğun kullanım ürünün çok ısınmasına neden olabilir. Uygun havalandırma sağlayın.
- Uyumluluk uyarısı:** Uyumsuz cihazlar ürünün arızalanmasına veya hasar görmesine neden olabilir.
- Çocuk güvenliği uyarısı:** Boğulmayı veya küçük parçaların kazara yutulmasını önlemek için bu ürünü çocukların erişemeyeceği yerlerde saklayın.
- Uyumluluk bildirimi:** Bu ürün GPSR ve ilgili güvenlik standartlarına uygundur ve güvenli kullanım sağlar.
- Çevre ve geri dönüşüm bildirimi:** Çevresel etkiyi en aza indirmek için eski ürünleri yerel çevre düzenlemelerine uygun olarak atın.

CE Uygunluk Beyanı

Satechi, bu ürünün, geçerli EC direktiflerinin esas şartları ve diğer ilgili hükümlerine uygun olduğunu beyan eder. Avrupa için, bu ürün için Uygunluk Bildirimi'nin bir kopyası

<https://satechi.net/support/doc> adresini ziyaret ederek edinilebilir.



WEEE Information

WEEE (Atık Elektrikli ve Elektronik Ekipman) Yönetmeliğine göre, bu ürünü evsel atık ya da ticari atık olarak atmayın. Atık elektrikli ve elektronik aletler, ülkeniz için oluşturulan uygulamaların gerektirdiği şekilde uygun şekilde toplanmalı ve geri dönüştürülmelidir. Bu ürünün geri dönüşümü hakkında bilgi için,

lütfen yerel yetkililerinize, evsel atık imha servisimize veya ürünü satın aldığınız mağazaya başvurun.

PL

Oświadczenie o Ograniczonej Gwarancji

Satechi gwarantuje, że jej produkty sprzętowe będą wolne od wad materiałowych i produkcyjnych przy normalnym użytkowaniu przez okres 2 lat od daty zakupu. Niniejsza gwarancja jest niezbywalna i dotyczy wyłącznie produktów zakupionych od autoryzowanych sprzedawców przez pierwotnego nabywcę. W przypadku zakupów dokonanych za pośrednictwem Amazon lub innych zewnętrznych sprzedawców detalicznych, roszczenia gwarancyjne należy kierować do sprzedawcy lub jego autoryzowanego dystrybutora. Niniejsza ograniczona gwarancja zapewnia określone prawa, a użytkownik może mieć dodatkowe prawa, które różnią się w zależności od lokalnych przepisów. Szczegółowe informacje na temat zakresu gwarancji można znaleźć na stronie <https://satechi.net/refunds-and-returns>



Ostrzeżenia i informacje dotyczące bezpieczeństwa:

- 1. Przeczytaj informacje dotyczące bezpieczeństwa i zdrowia**
- 2. Ostrzeżenie dotyczące bezpieczeństwa elektrycznego:** Należy upewnić się, że używany jest sprzęt spełniający określone normy, aby uniknąć ryzyka pożaru lub porażenia prądem elektrycznym.
- 3. Ostrzeżenie dotyczące ciepła:** Długotrwałe intensywne użytkowanie może spowodować nagrzewanie się produktu. Należy zapewnić odpowiednią wentylację.
- 4. Ostrzeżenie o kompatybilności:** Niekompatybilne urządzenia mogą spowodować nieprawidłowe działanie lub uszkodzenie produktu.
- 5. Ostrzeżenie dotyczące bezpieczeństwa dzieci:** Produkt należy przechowywać w miejscu niedostępnym dla dzieci, aby zapobiec zadławieniu lub przypadkowemu połknięciu małych części.
- 6. Informacja o zgodności:** Ten produkt jest zgodny z GPSR i odpowiednimi normami bezpieczeństwa, zapewniając bezpieczne użytkowanie.
- 7. Informacja o ochronie środowiska i recyklingu:** Stare produkty należy utylizować zgodnie z lokalnymi przepisami dotyczącymi ochrony środowiska, aby zminimalizować negatywny wpływ na środowisko.



Deklaracja Zgodności CE

Firma Satechi oświadcza, że niniejszy produkt jest zgodny z zasadniczymi wymaganiami i innymi stosownymi postanowieniami obowiązujących dyrektyw WE. W przypadku Europy kopię deklaracji zgodności dla tego produktu można uzyskać, odwiedzając stronę <https://satechi.net/support/doc>



Informacje o WEEE

Zgodnie z dyrektywą WEEE (w sprawie zużytego sprzętu elektrycznego i elektronicznego) nie należy wyrzucać tego produktu jako odpadu domowego lub komercyjnego. Zużyty sprzęt elektryczny i elektroniczny powinien być odpowiednio zbierany i poddawany recyklingowi zgodnie z praktykami obowiązującymi w danym kraju. Aby uzyskać informacje na temat recyklingu tego produktu, należy skontaktować się z lokalnymi władzami, firmą zajmującą się utylizacją odpadów domowych lub sklepem, w którym produkt został zakupiony.

PT

Declaração de Garantia Limitada

A Satechi garante que os seus produtos de hardware estão isentos de defeitos de materiais e de fabrico em condições normais de utilização durante um período de 2 anos a partir da data de compra. Esta garantia é intransmissível e aplica-se apenas a produtos adquiridos a vendedores autorizados pelo comprador original. Para compras efectuadas através da Amazon ou de outros retalhistas terceiros, as reclamações de garantia devem ser dirigidas ao vendedor ou ao seu distribuidor autorizado. Esta garantia limitada fornece direitos legais específicos, e o utilizador pode ter direitos adicionais que variam de acordo com as leis locais. Para obter detalhes completos sobre a cobertura da garantia, visite

<https://satechi.net/refunds-and-returns>



Avisos e Informações de Segurança:

1. Ler as informações de segurança e saúde
2. **Aviso de segurança para cabos e fios:** Os cabos e fios expostos do dispositivo representam um potencial perigo de tropeçar. Organize os cabos e fios após a utilização.

3. Irritação da pele (dispositivos não vestíveis) aviso: O dispositivo é fabricado com materiais habitualmente utilizados em dispositivos electrónicos de consumo vestíveis. No entanto, algumas pessoas podem desenvolver irritação da pele devido a alergias ou sensibilidades. Limpe o seu dispositivo regularmente.

4. Aresta ou ponta afiada aviso: O produto pode conter arestas ou pontas afiadas; manusear com cuidado.

5. Aviso de segurança contra incêndios: O material PU é inflamável, manter afastado do fogo.

6. Aviso de segurança para crianças: Mantenha este produto fora do alcance das crianças para evitar asfixia ou ingestão acidental de peças pequenas.

7. Aviso de conformidade: Este produto está em conformidade com o GPSR e com as normas de segurança relevantes, garantindo uma utilização segura.

8. Aviso ambiental e de reciclagem: Eliminar os produtos antigos de acordo com os regulamentos ambientais locais para minimizar o impacto ambiental.

Declaração de Conformidade CE

A Satechi declara que este produto está em conformidade com os requisitos essenciais e outras disposições relevantes das diretivas da CE aplicáveis. Para a Europa, uma cópia da Declaração de Conformidade para este produto pode ser obtida visitando <https://satechi.net/support/doc>



Informação WEEE

De acordo com a Diretiva WEEE (Resíduos de equipamentos eléctricos e electrónicos), não descarte este produto como lixo doméstico ou comercial. Resíduos de equipamentos eléctricos e electrónicos devem ser coletados e reciclados adequadamente, conforme exigido pelas práticas estabelecidas para o seu país. Para obter informações sobre a reciclagem deste produto, entre em contato com as autoridades locais, o serviço de coleta de lixo doméstico ou a loja onde você adquiriu o produto.

RU

Заявление об Ограниченной Гарантии

Компания Satechi гарантирует, что ее аппаратные продукты

не будут иметь дефектов материалов и изготовления при нормальном использовании в течение 2 лет с момента покупки. Данная гарантия не подлежит передаче и распространяется только на продукты, приобретенные у авторизованных продавцов первоначальным покупателем. При покупке через Amazon или других сторонних розничных продавцов гарантийные претензии следует направлять продавцу или его авторизованному дистрибьютору. Настоящая ограниченная гарантия предоставляет конкретные юридические права, и у вас могут быть дополнительные права, которые варьируются в соответствии с местным законодательством. Полную информацию о гарантийном покрытии можно найти на сайте <https://satechi.net/refunds-and-returns>



Предупреждения и информация по безопасности:

- 1. Прочитайте информацию о безопасности и здоровье**
- 2. Предупреждение об электробезопасности:** Во избежание риска возникновения пожара или поражения электрическим током убедитесь в том, что используемое оборудование соответствует установленным стандартам.
- 3. Предупреждение о нагреве:** Длительное интенсивное использование может привести к сильному нагреву изделия. Обеспечьте надлежащую вентиляцию.
- 4. Предупреждение о совместимости:** Несовместимые устройства могут привести к неисправности или повреждению изделия.
- 5. Предупреждение о детской безопасности:** Храните этот продукт в недоступном для детей месте во избежание удушья или случайного проглатывания мелких деталей.
- 6. Уведомление о соответствии:** Этот продукт соответствует GPSR и соответствующим стандартам безопасности, что обеспечивает безопасное использование.
- 7. Уведомление об охране окружающей среды и переработке отходов:** Утилизируйте старые изделия в соответствии с местными экологическими нормами, чтобы минимизировать воздействие на окружающую среду.



Декларация соответствия CE

Satechi заявляет, что этот продукт соответствует основным требованиям и другим соответствующим положениям

применимых директив ЕС. Для Европы копию декларации о соответствии для этого продукта можно получить, посетив <https://satechi.net/support/doc>



WEEE Информация

В соответствии с директивой WEEE (Об утилизации электрического и электронного оборудования) запрещается выбрасывать этот продукт в качестве бытовых или коммерческих отходов. Отходы электрического и электронного оборудования должны быть надлежащим образом собраны и переработаны в соответствии с требованиями, установленными для вашей страны. За информацией о переработке этого продукта обращайтесь в местные органы власти, службу утилизации бытовых отходов или в магазин, где вы приобрели продукт

JA

保証規定

Satechiは、ハードウェア製品について、購入日から2年間、通常の使用において材料および製造上の欠陥がないことを保証します。この保証は譲渡不可であり、最初の購入者が正規販売者から購入した製品にのみ適用されます。Amazonまたはその他の第三者の小売業者を通じて購入された場合、保証の請求は販売業者またはその正規代理店に直接行ってください。本限定保証は特定の法的権利を提供するものであり、地域の法律により異なる追加の権利を有する場合があります。保証範囲の詳細については、

<https://satechi.net/refunds-and-returns> をご覧ください。



警告と安全情報

1. **安全と健康に関する情報をお読みください**
2. **電気安全に関する警告:** 電気火災や感電の危険を避けるため、指定された基準を満たす機器を使用してください。
3. **熱に関する警告:** 長時間の頻繁な使用により、製品が非常に熱くなる場合があります。適切な換気を行ってください。
4. **互換性に関する警告:** 互換性のないデバイスを使用すると、製品が誤動作したり、損傷したりする可能性があります。
5. **子供の安全に関する警告:** 窒息や小さな部品の誤飲を防ぐため、この製品を子供の手の届かない場所に保管してください。
6. **コンプライアンスに関する通知:** この製品は GPSR および関連する安全基準に準拠しており、安全に使用できます。

7. 環境およびリサイクルに関する通知: 環境への影響を最小限に抑えるため、古い製品は地域の環境規制に従って処分してください。



Satechiはこの製品が適合するEC指令の必要要件およびその他の関連条項に準拠していることを宣言します。欧州においては、<https://satechi.net/support/doc>にてこの製品の適合宣言書を入手することができます。



WEEE 情報

WEEE (廃電気電子機器: Waste Electrical and Electronic Equipment) 指令に従い、この製品は、分別されていない一般廃棄物として処分しないでください。お使いの電気または電子機器は、お住いの国の確率した慣習により適切に収集、リサイクルされる必要があります。この製品のリサイクル情報に関しては、最寄りの行政当局、廃棄物処理業者、または製品を購入された店舗までお問い合わせください。

KR

제한 보증서

Satechi는 하드웨어 제품에 정상적인 사용 조건에서 구입일로부터 2년 동안 재료 및 제작상의 결함이 없음을 보증합니다. 이 보증은 양도할 수 없으며 원래 구매자가 공인 판매자로부터 구매한 제품에만 적용됩니다. Amazon 또는 기타 타사 소매업체를 통해 구매한 경우 보증 청구는 판매자 또는 해당 공인 유통업체에 직접 문의해야 합니다. 이 제한 보증은 특정 법적 권리를 제공하며, 회원님에게는 현지 법률에 따라 다른 추가 권리가 있을 수 있습니다. 보증 범위에 대한 자세한 내용은 <https://satechi.net/refunds-and-returns> 을 참조하세요.

경고 및 안전 정보:

1. 안전 및 건강 정보 읽기
2. 전기 안전 경고: 전기 화재나 감전 위험을 피하기 위해 지정된 표준을 충족하는 장비를 사용해야 합니다.
3. 열 관련 경고: 장시간 과도하게 사용하면 제품이 매우 뜨거워질 수 있습니다. 적절한 환기를 유지하십시오.
4. 호환성 경고: 호환되지 않는 장치로 인해 제품이 오작동하거나 손상될 수 있습니다.
5. 아동 안전 경고: 질식이나 작은 부품의 우발적 섭취를 방지하기 위해

이 제품을 아동의 손이 닿지 않는 곳에 보관하세요.

6. 준수 고지: 이 제품은 GPSR 및 관련 안전 표준을 준수하여 안전한 사용을 보장합니다.

7. 환경 및 재활용 고지: 환경 영향을 최소화하기 위해 오래된 제품은 지역 환경 규정에 따라 폐기하세요.



Satechi는 이 제품이 해당 EC 지침의 필수 요구 사항 및 기타 관련 조항을 준수 함을 선언합니다. 유럽의 경우 이 제품에 대한 적합성 선언서의 사본은 <https://satechi.net/support/doc> 을 방문하여 얻을 수 있습니다.



WEEE 정보

WEEE (전기 및 전자 장비 폐기물) 지침에 따르면 이 제품을 가정용 쓰레기 또는 상업용 쓰레기로 처리하지 마십시오. 전기 및 전자 장비 폐기물은 해당 국가에서 수립 한 관행에 따라 적절하게 수집하여 재활용해야 합니다. 이 제품의 재활용에 대한 정보는 지역 당국, 가정용 폐기물 처리 업체 또는 제품을 구입 한 상점에 문의하십시오.

TCN

有限保固聲明

Satechi 保證其硬體產品在正常使用下，自購買日起 2 年內不存在材料和工藝上的瑕疵。本保證不可轉讓，且僅適用於原始購買者從授權賣家購買之產品。對於透過 Amazon 或其他第三方零售商購買的產品，保固索賠應直接向銷售商或其授權經銷商提出。本有限保固提供特定的法律權利，根據當地法律，您可能還有其他不同的權利。有關保固範圍的完整詳細資訊，請造訪

<https://satechi.net/refunds-and-returns>



警告和安全資訊：

1. 閱讀安全和健康資訊
2. 電氣安全警告：確保使用符合指定標準的設備，以避免電氣火災或觸電的危險。
3. 熱度相關警告：長時間大量使用可能導致產品變得非常熱。確保適當的通風。
4. 相容性警告：不相容的裝置可能導致產品故障或損壞。
5. 兒童安全警告：請將本產品放置在兒童接觸不到的地方，以防止

窒息或誤吞小零件。

6. 合規通知：本產品符合 GPSR 及相關安全標準，確保使用安全。

7. 環保與回收公告：請依照當地環保法規處理舊產品，以減少對環境的影響。



Satechi聲明該產品符合適用EC指令的基本要求和和其他相關規定。對於歐洲，可以訪問 <https://satechi.net/support/doc> 獲取本產品符合性聲明的副本。



WEEE 信息

根據WEEE (廢棄電氣和電子設備) 指令，請勿將此產品作為生活垃圾或商業垃圾處理。應根據貴國製定的慣例，適當收集和回收廢舊電氣和電子設備。有關回收本產品的信息，請聯繫當地政府部門，家庭垃圾處理服務機構或購買產品的商店。

SCN

有限保固声明

Satechi 保证其硬体产品在正常使用下，自购买日起 2 年内不存在材料和工艺上的瑕疵。本保证不可转让，且仅适用于原始购买者从授权卖家购买之产品。对于透过 Amazon 或其他第三方零售商购买的产品，保固索赔应直接向销售商或其授权经销商提出。本有限保固提供特定的法律权利，根据当地法律，您可能还有其他不同的权利。有关保固范围的完整详细资讯，请造访

<https://satechi.net/refunds-and-returns>



警告和安全资讯：

1. 阅读安全和健康资讯

2. 电气安全警告：确保使用符合指定标准的设备，以避免电气火灾或触电的危险。

3. 热度相关警告：长时间大量使用可能导致产品变得非常热。确保适当的通风。

4. 相容性警告：不相容的装置可能导致产品故障或损坏。

5. 儿童安全警告：请将本产品放置在儿童接触不到的地方，以防止窒息或誤吞小零件。

6. 合規通知：本产品符合 GPSR 及相关安全标准，确保使用安全。

7. 环保与回收公告：请依照当地环保法规处理旧产品，以减少对环境的影响。



Satechi 声明该产品符合适用 EC 指令的基本要求和和其他相关规定。对于欧洲，可以访问 <https://satechi.net/support/doc> 获取本产品符合性声明的副本。



WEEE 信息

根据 WEEE (废弃电气和电子设备) 指令，请勿将此产品作为生活垃圾或商业垃圾处理。应根据贵国制定的惯例，适当收集和回收废旧电气和电子设备。有关回收本产品的信息，请联系当地政府部门，家庭垃圾处理服务机构或购买产品的商店。

NEED HELP?

BESOIN D'AIDE? | ¿NECESITA AYUDA? |
BENÖTIGEN SIE HILFE? | HAI BISOGNO DI
AIUTO? | YARDIMA MI IHTIYACINIZ VAR? |
POTRZEBUJĘ POMOCY? | PRECISA DE AJUDA?
| НУЖНА ПОМОЩЬ? | 助けが必要ですか? |
도움이 필요하십니까? | 需要幫助? | 需要帮助?

 +1 858 268 1800

 support@satechi.com

7365 Mission Gorge Rd. Ste. G
San Diego, CA 92120, USA



www.satechi.net