

# Dimension: 108 × 108 mm



### NEED HELP?

BESOIN D'AIDE ? | ¿NECESITA AYUDA? | HILFE BENÖTIGT? | HAI BISOGNO DI AIUTO? | お困りですか? | 도움이 필요하십니까? | 需要帮助吗?

Manufacturer:  
10637 Scripps Summit Ct  
San Diego, CA 92131, USA  
+1 858 268 1800  
support@satechi.com  
www.satechi.com

EU Authorized Representative:  
Chemical Inspection and  
Regulation Service Limited  
CIRS, Regus Harcourt Centre  
Dublin, Ireland, D02 HW77  
+353 1 477 3710

UK Representative:  
Chemical Inspection and  
Regulation Service UK Ltd.  
Unit 536, Salisbury House  
London Wall, London, EC2M 5SQ  
+44 20 3289 6395

### CABLE STORAGE

RANGEMENT DU CÂBLE | ALMACENAMIENTO DEL CABLE | KABELAUFBEWAHRUNG | CONSERVAZIONE DEL CAVO | ケーブル収納 | 케이בל 보관 | 线缆存放

#### 1. Place the cable into the channel right after the alignment post

Placez le câble dans la rainure juste après le taquet d'alignement | Colocar el cable en el canal justo después del poste de alineación | Das Kabel direkt hinter dem Ausrichtungsstift in den Kanal legen | Posizionare il cavo nella scanalatura subito dopo il perno di allineamento | ケーブルをアライメントポストのすぐ後ろの溝に置いてください | 케이בל을 정렬 핀 바로 뒤의 채널에 놓으십시오 | 将线缆放入对齐柱后面的槽道中

#### 2. Fit the USB-C connector into the cutout

Insérez le connecteur USB-C dans l'encoche | Encajar el conector USB-C en la abertura | Den USB-C-Stecker in die Aussparung einsetzen | Inserire il connettore USB-C nell'incavo | USB-C코ネク타를 끼워 넣으십시오 | USB-C 커넥터를 컷아웃에 맞추어 끼우십시오 | 将 USB-C 接头插入开口处

#### 3. Press the cable into the channel all the way around

Appuyez sur le câble dans la rainure tout autour | Presionar el cable en el canal alrededor de todo el perímetro | Das Kabel rundum in den Kanal drücken | Premere il cavo nella scanalatura su tutto il perimetro | ケーブルを溝に沿ってぐるっと押し込んでください | 케이בל을 채널에 따라 전체적으로 눌러 넣으십시오 | 将线缆沿槽道全部按压到底

#### 4. Make sure it sits flat, then close the stand

Assurez-vous que le câble est à plat, puis refermez le support | Asegúrese de que esté plano, luego cierre el soporte | Stellen Sie sicher, dass es flach liegt, und schließen Sie dann den Ständer | Assicurarsi che sia appoggiato piatto, quindi chiudere il supporto | ケーブルが平らに収まっていることを確認してから、スタンドを閉じてください | 케이בל이 평평하게 놓였는지 확인한 후 스탠드를 닫으십시오 | 确保线缆平整放置, 然后关闭支架

### IMPORTANT

IMPORTANT | IMPORTANTE | WICHTIG | IMPORTANTE | 重要 | 중요 | 重要

#### • Host devices must support Power Delivery and DP Alt Mode over USB-C for full functionality.

• Les appareils hôtes doivent prendre en charge Power Delivery et le mode DP Alt via USB-C pour une fonctionnalité complète.

• Los dispositivos host deben soportar Power Delivery y DP Alt Mode a través de USB-C para funcionalidad completa.

• Host-Geräte müssen Power Delivery und DP Alt Mode über USB-C für volle Funktionalität unterstützen.

• I dispositivi host devono supportare Power Delivery e DP Alt Mode tramite USB-C per una funzionalità completa.

• 호스트 기기는 USB-C를 통해 Power Delivery 및 DP Alt Mode를 지원해야 합니다.

• 主机设备必须支持通过USB-C的电力传输 (Power Delivery) 和DP Alt模式, 方可实现全部功能。

#### • USB-C data port does not support video output or output charging.

• Le port de données USB-C ne prend pas en charge la sortie vidéo ni la charge en sortie.

• El puerto de datos USB-C no soporta salida de vídeo ni carga de salida.

• Der USB-C-Datenanschluss unterstützt keine Videoausgabe oder Ausgangsladung.

• La porta dati USB-C non supporta l'uscita video né la ricarica in uscita.

• USB-C 데이터 포트는映像出力이나出力充電을 지원하지 않습니다.

• USB-C 데이터 포트는 비디오 출력 또는 출력 충전을 지원하지 않습니다.

• USB-C 数据端口不支持视频输出或输出充电。

#### • Not compatible with Apple USB SuperDrive or other CD Readers.

• Non compatible avec Apple USB SuperDrive ou autres lecteurs de CD.

• No compatible con Apple USB SuperDrive ni otros lectores de CD.

• Nicht kompatibel mit Apple USB SuperDrive oder anderen CD-Laufwerken.

• Non compatibile con Apple USB SuperDrive o altri lettori CD.

• Apple USB SuperDriveやその他のCDリーダーには対応していません。

• Apple USB SuperDrive 및 기타 CD 리더기와 호환되지 않습니다.

• 不兼容 Apple USB SuperDrive 或其他 CD 读取器。

• 连接的USB设备输入电流不应超过5V/900 mA。

#### • Direct HDMI to HDMI connection required for video output.

• Une connexion HDMI directe de port à port est requise pour la sortie vidéo.

• Se requiere conexión HDMI directa para salida de vídeo.

• Für die Videoausgabe ist eine direkte HDMI-zu-HDMI-Verbindung erforderlich.

• Per l'uscita video è richiesta una connessione HDMI diretta.

• 映像出力にはHDMIとHDMIの直接接続が必要です。

• 비디오 출력에는 HDMI와 HDMI 간 직접 연결이 필요합니다.

• 视频输出需要直接的 HDMI 至 HDMI 连接。

#### • Not compatible with thick tablet cases.

• Non compatible avec les étuis épais pour tablettes.

• No compatible con fundas gruesas para tabletas.

• Nicht kompatibel mit dicken Tablet-Hüllen.

• Non compatibile con custodie spesse per tablet.

• 厚いた블렛케이스には対応していません。

• 두꺼운 태블릿 케이스와 호환되지 않습니다.

• 不兼容厚款平板保护壳。

## ONTHEGO FOLDABLE STAND HUB

ONTHEGO SUPPORT À PLIANT AVEC HUB



USER MANUAL  
Manuel de l'utilisateur | Manual de usuario | Benutzerhandbuch |  
Manuale utente | 取扱説明書 | 사용자 설명서 | 用户手册

### PLUG & PLAY

CONNECTER ET UTILISER | CONEXIÓN Y USO | ANSCHLIEßEN UND VERWENDEN | COLLEGARE E USARE | 接続して使用する | 연결하여 사용하십시오 | 连接并使用

#### 1. Connect the USB-C cable to your iPad

Branchez le câble USB-C à votre iPad

Conectar el cable USB-C a su iPad

USB-C-Kabel mit Ihrem iPad verbinden

Collegare il cavo USB-C al tuo iPad

USB-CケーブルをiPadに接続してください

USB-C 케이בל을 iPad에 연결하십시오

将 USB-C 线缆连接到您的 iPad

#### 2. Connect your devices

Branchez vos appareils

Conectar sus dispositivos

Geräte verbinden

Collegare i dispositivi

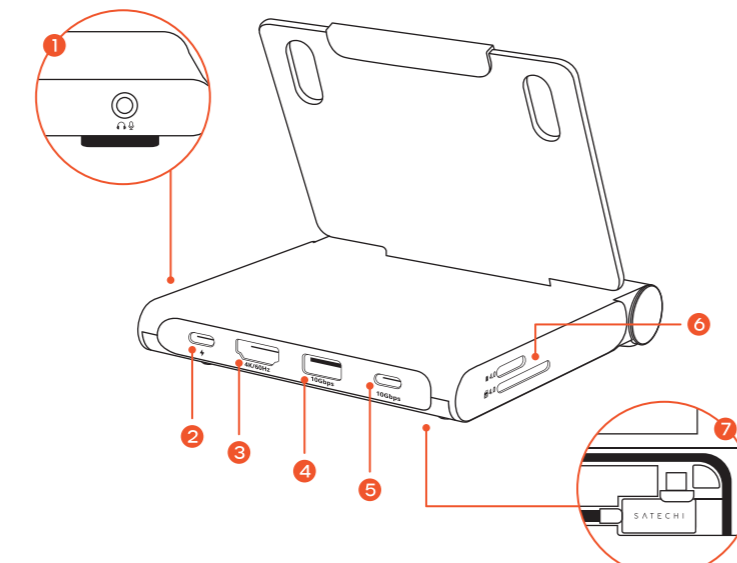
デバイスを接続してください

기기를 연결하십시오

连接您的设备

### FUNCTIONS

FONCTIONS | FUNCIONES | FUNKTIONEN | FUNZIONI | 機能 | 기능 | 功能



#### 1. 3.5mm Audio Jack (Input/Output supported)

Prise audio 3,5 mm (entrée/sortie prise en charge) | Jack de audio de 3,5 mm (soporta entrada/salida) | 3,5-mm-Audioanschluss (Eingang/Ausgang unterstützt) | Jack audio da 3,5 mm (soporta ingresso/uscita) | 3.5 mmオーディオジャック (入力/出力対応) | 3.5 mm 오디오 잭 (입력/출력 지원) | 3.5毫米音频接口 (支持输入/输出)

#### 2. USB-C PD Port (100W Input) (85W Output)

Port USB-C PD (entrée 100 W) (sortie 85 W) | Puerto USB-C PD (entrada 100W) (salida 85W) | USB-C PD-Anschluss (100 W Eingang) (85 W Ausgang) | Porta USB-C PD (ingresso 100 W) (uscita 85 W) | USB-C PD 포트 (100 W 입력) (85 W 출력) | USB-C PD 포트 (100 W 입력) (85 W 출력) | USB-C PD接口 (100 W输入) (85 W输出)

#### 3. HDMI Port (4K/60Hz)

Port HDMI | Puerto HDMI | HDMI-Anschluss | Porta HDMI | HDMI 포트 | HDMI接口

#### 4. USB-A Port (Up to 10Gbps)

Port USB-A (jusqu'à 10 Gbps) | Puerto USB-A (hasta 10 Gbps) | USB-A-Anschluss (bis zu 10 Gbps) | Porta USB-A (fino a 10 Gbps) | USB-A 포트 (최대 10Gbps) | USB-A接口 (最高 10Gbps)

#### 5. USB-C Port (Up to 10Gbps)

Port USB-C (jusqu'à 10 Gbps) | Puerto USB-C (hasta 10 Gbps) | USB-C-Anschluss (bis zu 10 Gbps) | Porta USB-C (fino a 10 Gbps) | USB-C 포트 (최대 10Gbps) | USB-C接口 (最高 10Gbps)

#### 6. SD and microSD Card Readers (UHS-II) (Up to 312MB/s)

Lecteurs de cartes SD et microSD (UHS-II) (jusqu'à 312 Mo/s) | Lectores de tarjetas SD y microSD (UHS-II) (hasta 312 MB/s) | SD- und microSD-Kartenleser (UHS-II) (bis zu 312 MB/s) | Lettori di schede SD e microSD (UHS-II) (fino a 312 MB/s) | SDおよびmicroSD카드リーダー (UHS-II) (최대 312 MB/s) | SD 및 microSD 카드 리더기 (UHS-II) (최대 312 MB/s) | SD and microSD读卡器 (UHS-II) (最高312 MB/s)

#### 7. USB-C Host Cable (Stored in cable compartment)

Câble hôte USB-C (rangé dans le compartiment à câbles) | Cable host USB-C (almacenado en el compartimento para cables) | USB-C-Hostkabel (im Kabelfach verstaut) | Cavo host USB-C (riposto nel vano cavi) | USB-C 호스트케이블 (케이블-수납부에収納) | USB-C 호스트 케이블 (케이بل 컴파트먼트에 보관됨) | USB-C 主机线缆 (存放于线缆仓)

### FCC Statement

This device complies with Part 15 of the FCC Rules. Operation is subject to the following two conditions:  
(1) This device may not cause harmful interference, and  
(2) this device must accept any interference received, including interference that may cause undesired operation.

Any Changes or modifications not expressly approved by the party responsible for compliance could void the user's authority to operate the equipment.

**Note:** This equipment has been tested and found to comply with the limits for a Class B digital device, pursuant to Part 15 of the FCC Rules. These limits are designed to provide reasonable protection against harmful interference in a residential installation. This equipment generates uses and can radiate radio frequency energy and, if not installed and used in accordance with the instructions, may cause harmful interference to radio communications. However, there is no guarantee that interference will not occur in a particular installation.

### CE DECLARATION OF CONFORMITY

Satechi declares that this product is in compliance with the essential requirements and other relevant provisions of applicable EC directives. For Europe, a copy of the Declaration of Conformity for this product may be obtained by visiting <https://satechi.com/pages/doc-1>

### WEEE Information

According to the WEEE (Waste Electrical and Electronic Equipment) Directive, do not dispose of this product as household waste or commercial waste. Waste electrical and electronic equipment should be appropriately collected and recycled as required by practices established for your country. For information on recycling of this product, please contact your local authorities, your household waste disposal service, or the shop where you purchased the product.

### CAN ICES(B)/NMB(B)

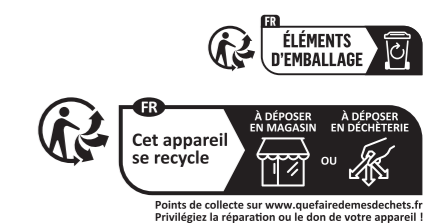
This Class B digital apparatus complies with Canadian ICES(B). (Cet appareil numérique de la Classe B conforme à la norme NMB(B) du Canada).

### AUSTRALIAN CONSUMER LAW

Our goods come with guarantees that cannot be excluded under the Australian Consumer Law. You are entitled to a replacement or refund for a major failure and compensation for any other reasonably foreseeable loss or damage. You are also entitled to have the goods repaired or replaced if the goods fail to be of acceptable quality and the failure does not amount to a major failure.

### ONTHEGO 可折叠支架集线器

MODEL | 型号: MN25ST104



# OUTSIDE

# INSIDE