

• Safely eject data storage devices prior to disconnecting adapter.

• Éjectez en toute sécurité les périphériques de stockage de données avant de déconnecter l'adaptateur.

• Expulse de forma segura los dispositivos de almacenamiento de datos antes de desconectar el adaptador.

• Werfen Sie Datenspeichergeräte sicher aus, bevor Sie den Adapter trennen.

• Espellere in modo sicuro i dispositivi di archiviazione dati prima di scollegare l'adattatore.

• Adaptörün bağlantısını kesmeden önce veri depolama aygıtlarını güvenle çıkarın.

• Eje te com segurança os dispositivos de armazenamento de dados antes de desconectar o adaptador.

• Перед отсоединением адаптера безопасно извлеките устройства хранения данных.

• アダプタを取り外す前に、データストレージ デバイスを安全に取り出します。

• 어댑터를 분리하기 전에 데이터 저장 장치를 안전하게 꺼냅니다.

• 在斷開適配器之前安全彈出數據存儲設備。

• 在断开适配器之前安全弹出数据存储设备。

• The MicroSD card should be inserted with its pins facing down, and the SD card with its pins facing up.

• La carte MicroSD doit être insérée avec ses broches vers le bas et la carte SD avec ses broches vers le haut.

• La tarjeta MicroSD debe insertarse con los pines hacia abajo y la tarjeta SD con los pines hacia arriba.

• Die MicroSD-Karte sollte mit den Stiften nach unten und die SD-Karte mit den Stiften nach oben eingesetzt werden.

• La scheda MicroSD deve essere inserita con i piedini rivolti verso il basso e la scheda SD con i piedini rivolti verso l'alto.

• MicroSD kart, pimleri aşağı bakacak şekilde ve SD kart pimleri yukarı bakacak şekilde takılmalıdır.

• O cartão MicroSD deve ser inserido com os pinos voltados para baixo e o cartão SD com os pinos voltados para cima.

• Карта MicroSD должна быть вставлена контактами вниз, а SD-карта — контактами вверх.

• MicroSD 카드는 핀을 아래로 향하도록 삽입하고 SD 카드는 핀이 위를 향하도록 삽입해야 합니다.

• MicroSD 卡的插針應朝下插入, SD 卡的插針朝上。

• MicroSD 卡的插針應朝下插入, SD 卡的插針朝上。

• MicroSD 卡的插針應朝下插入, SD 卡的插針朝上。

NEED HELP?

BESOIN D'AIDE POUR? | ¿NECESITAS AYUDA? |
BRAUCHEN SIE HILFE? | HAI BISOGNO DI AIUTO? |
YARDIMA MI İHTİYACINIZ VAR? | PRECISO DE
AJUDA? | НУЖНА ПОМОЩЬ? | 助けが必要? |
도움이 필요하다? | 需要幫忙? | 需要幫忙?

Manufacturer:
7365 Mission Gorge Rd. Ste. G
San Diego CA 92120 USA
+1 858 268 1800
support@satechi.com
www.satechi.net

UK Representative:
CMS Distribution Ltd.
CasOne Freeway Drive
EORF GB17202262000
CASTLEFORD W Yorkshire
WF10 5EJ, United Kingdom
44 20 8962 2500



Authorized Representative:
QIMA EUROPE AR GmbH
Schleidenstraße 1
22083 Hamburg
GERMANY



This device complies with part 15 of the FCC rules.

Operation is subject to the following two conditions:

1. This device may not cause harmful interference and
2. This device must accept any interference received, including interference that may cause undesired operation.

Note: This Equipment has been tested and found to comply with the limits for a class B digital device, pursuant to Part 15 of the Federal Communications Commission (FCC) rules. These limits are designed to provide reasonable protection against harmful interference in a residential installation. This equipment generates, uses, and can radiate radio frequency energy and, if not installed and used in accordance with the instructions, may cause harmful interference to radio communications. However, there is no guarantee that interference will not occur in a particular installation. If this equipment does cause harmful interference to radio or television reception, which can be determined by turning the equipment off and on, the user is encouraged to try to correct the interference by one or more of the following measures:

- 1.1. Reorient or relocate the receiving antenna
 - 1.2. Increase the separation between the equipment and receiver
 - 1.3. Connect the equipment into and outlet on a circuit different from that to which the receiver is connected
 - 1.4. Consult the dealer or an experienced radio/TV technician for help
- Changes or modifications not expressly approved by the manufacturer could void the user's authority operate the equipment.



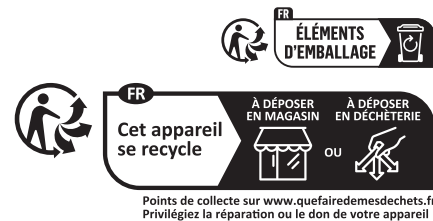
Satechi declares that this product is in compliance with the essential requirements and other relevant provisions of applicable EC directives. For Europe, a copy of the Declaration of Conformity for this product may be obtained by visiting www.satechi.net/doc



WEEE Information

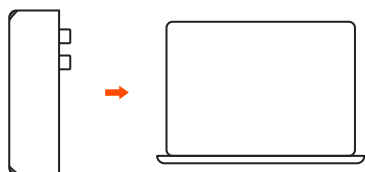
According to the WEEE (Waste Electrical and Electronic Equipment) Directive, do not dispose of this product as household waste or commercial waste. Waste electrical and electronic equipment should be appropriately collected and recycled as required by practices established for your country. For information on recycling of this product, please contact your local authorities, your household waste disposal service, or the shop where you purchased the product.

CAN ICES-3 (B) / NMB-3 (B)
This Class B digital apparatus complies with Canadian ICES-003.
(Cet appareil numérique de la Classe B conforme à la norme NMB-003 du Canada)



PLUG & PLAY

PLUG & PLAY | PLUG & PLAY | PLUG & PLAY | PLUG & PLAY |
TAK ÇALIŞTIR | PLUG & PLAY | PLUG & PLAY |
プラグ&プレイ | 플러그 앤 플레이 | 即插即用 | 即插即用



1. Connect to a laptop

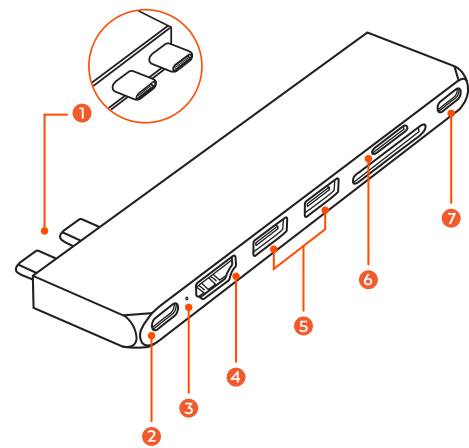
Connectez-vous à un ordinateur portable
Conéctalo a un ordenador portátil
Verbinden mit einem Laptop
Collegare a un computer portatile
Bir dizüstü bilgisayara bağlanın
Подключите к ноутбуку
ラップトップに接続する | 노트북에 연결
連接到筆記本電腦 | 连接到笔记本电脑

2. Connect your devices

Connectez vos appareils
Conecta tus dispositivos
Schließen Sie Ihre Geräte an
Collega i tuoi dispositivi
Cihazlarınızı bağlayın
Conecte seus dispositivos
Подключите ваши устройства
デバイスを接続する | 장치 연결
連接您的設備 | 连接您的设备

FUNCTIONS

FONCTIONS | FUNCIONES | FUNKTIONEN | FUNZIONI
| FONKSİYONLAR | FUNÇÕES | ФУНКЦИИ | 機能 |
기능 | 功能 | 功能



1. Dual USB-C Connectors

Deux connecteurs USB-C | Conectores duales USB-C |
Dual USB-C Anschlüsse | Connettori dual USB-C | Çift USB-C
Konektörü | Conectores Duplos USB-C | Двойные разъемы
USB-C | 듀얼 USB-C 코넥터 | 듀얼 USB-C 커넥터 | 双
USB-C 连接器 | 雙 USB-C 連接器

2. USB4 Pass-Through Port (40Gbps)

Port de passage USB4 | Puerto de paso USB4 | USB4
Pass-Through-Anschluss | Porta pass-through USB4 | USB4
Geçiş Bağlantı Noktası | Porta de passagem USB4 | Сквозной
порт USB4 | USB4 /パススルー ポート | USB4 패스스루 포트 | USB4
直通端口 | USB4 直通端口

3. LED Indicator

Indicateur LED | Indicador LED | LED-Anzeige | Indicatore LED |
LED göstergesi | Indicador LED | Светодиодный индикатор |
LED インジケーター | LED 표시기 | LED 指示燈 | LED 指示灯

4. 4K@60Hz HDMI Video Port

Sortie Video HDMI 4K@60Hz | Puerto de video HDMI 4K@60Hz
| 4K@60Hz HDMI-Videoanschluss | Porta video HDMI 4K@60Hz
| 4K@60Hz HDMI Video girişi | Porta de Video HDMI 4K@60Hz |
Видео порт HDMI 4K 60 Гц | HDMI 4K@60Hz ビデオ出力ポート |
4K@60Hz HDMI 비디오 포트 | 4K@60Hz HDMI 視頻輸出 |
4K@60Hz HDMI 視頻輸出

5. 2X USB-A Data Ports (10 Gbps)

Ports de données USB-A | Puertos de datos USB-A | USB-A
Datenports | Porte dati USB-A | USB-A Veri Bağlantı Noktaları |
Portas de dados USB-A | Порты данных USB-A | USB-A データ
ポート | USB-A 데이터 포트 | USB-A 數據端口 | USB-A 數據端口

6. SD & Micro SD Card Slots (UHS-I)

Fentes pour Cartes SD et Micro SD | Ranuras de Tarjetas SD &
Micro SD | SD und Micro SD Kartensteckplätze | Slot per schede
SD e Micro SD | SD ve Micro SD Kart Yuvaları | Slots para cartão
SD e Micro SD | Слоты для SD и Micro SD карт | SD & Micro
SD Карт-слот | SD 및 Micro SD 카드 슬롯 | SD和Micro SD卡
插槽 | SD和Micro SD卡插槽



USB-C™ PRO HUB
SLIM ADAPTER

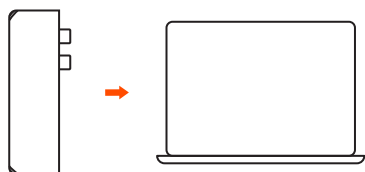
USER MANUAL



Manuel d'utilisateur | Manual de usuario |
Bedienungsanleitung | Manuale dell'utente |
Kullanım kılavuzu | Manual do usuário |
Руководство пользователя | ユーザーマニュアル |
사용 설명서 | 用戶手冊 | 用戶手冊

PLUG & PLAY

PLUG & PLAY | PLUG & PLAY | PLUG & PLAY | PLUG & PLAY |
TAK ÇALIŞTIR | PLUG & PLAY | PLUG & PLAY |
プラグ&プレイ | 플러그 앤 플레이 | 即插即用 | 即插即用



1. Connect to a laptop

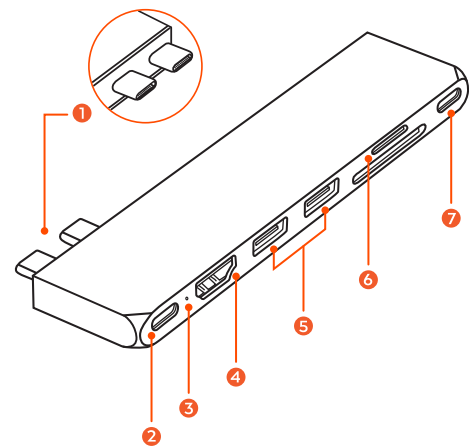
Connectez-vous à un ordinateur portable
Conéctalo a un ordenador portátil
Verbinden mit einem Laptop
Collegare a un computer portatile
Bir dizüstü bilgisayara bağlanın
Подключите к ноутбуку
ラップトップに接続する | 노트북에 연결
連接到筆記本電腦 | 连接到笔记本电脑

2. Connect your devices

Connectez vos appareils
Conecta tus dispositivos
Schließen Sie Ihre Geräte an
Collega i tuoi dispositivi
Cihazlarınızı bağlayın
Conecte seus dispositivos
Подключите ваши устройства
デバイスを接続する | 장치 연결
連接您的設備 | 连接您的设备

FUNCTIONS

FONCTIONS | FUNCIONES | FUNKTIONEN | FUNZIONI
| FONKSİYONLAR | FUNÇÕES | ФУНКЦИИ | 機能 |
기능 | 功能 | 功能



1. Dual USB-C Connectors

Deux connecteurs USB-C | Conectores duales USB-C |
Dual USB-C Anschlüsse | Connettori dual USB-C | Çift USB-C
Konektörü | Conectores Duplos USB-C | Двойные разъемы
USB-C | 듀얼 USB-C 코넥터 | 듀얼 USB-C 커넥터 | 双
USB-C 连接器 | 雙 USB-C 連接器

2. USB4 Pass-Through Port (40Gbps)

Port de passage USB4 | Puerto de paso USB4 | USB4
Pass-Through-Anschluss | Porta pass-through USB4 | USB4
Geçiş Bağlantı Noktası | Porta de passagem USB4 | Сквозной
порт USB4 | USB4 /パススルー ポート | USB4 패스스루 포트 | USB4
直通端口 | USB4 直通端口

3. LED Indicator

Indicateur LED | Indicador LED | LED-Anzeige | Indicatore LED |
LED göstergesi | Indicador LED | Светодиодный индикатор |
LED インジケーター | LED 표시기 | LED 指示燈 | LED 指示灯

4. 4K@60Hz HDMI Video Port

Sortie Video HDMI 4K@60Hz | Puerto de video HDMI 4K@60Hz
| 4K@60Hz HDMI-Videoanschluss | Porta video HDMI 4K@60Hz
| 4K@60Hz HDMI Video girişi | Porta de Video HDMI 4K@60Hz |
Видео порт HDMI 4K 60 Гц | HDMI 4K@60Hz ビデオ出力ポート |
4K@60Hz HDMI 비디오 포트 | 4K@60Hz HDMI 視頻輸出 |
4K@60Hz HDMI 視頻輸出

5. 2X USB-A Data Ports (10 Gbps)

Ports de données USB-A | Puertos de datos USB-A | USB-A
Datenports | Porte dati USB-A | USB-A Veri Bağlantı Noktaları |
Portas de dados USB-A | Порты данных USB-A | USB-A データ
ポート | USB-A 데이터 포트 | USB-A 數據端口 | USB-A 數據端口

6. SD & Micro SD Card Slots (UHS-I)

Fentes pour Cartes SD et Micro SD | Ranuras de Tarjetas SD &
Micro SD | SD und Micro SD Kartensteckplätze | Slot per schede
SD e Micro SD | SD ve Micro SD Kart Yuvaları | Slots para cartão
SD e Micro SD | Слоты для SD и Micro SD карт | SD & Micro
SD Карт-слот | SD 및 Micro SD 카드 슬롯 | SD和Micro SD卡
插槽 | SD和Micro SD卡插槽

7. USB-C Data Port (10Gbps)

Port de données USB-C | Puerto de datos USB-C | USB-C-
Datenanschluss | Porta dati USB-C | USB-C Veri Bağlantı
Noktası | Porta de dados USB-C | Порт передачи данных
USB-C | USB-C 데이터 포트 | USB-C 데이터 포트 | USB-C數據端口
| USB-C數據端口

IMPORTANT

IMPORTANT | IMPORTANTE | WICHTIG | IMPORTANTE |
ÖNEMLI | IMPORTANTE | ВАЖНО | 重要 | 중대한 | 重要事
項 | 注意

• Connected USB devices should not exceed an input current of 900mA.

• Les appareils USB connectés ne doivent pas dépasser un courant d'entrée de 900mA.

• Dispositivos USB conectados no deben exceder una entrada de corriente de 900mA.

• Angeschlossene USB-Geräte sollten eine Eingangsstromstärke von 900 mA nicht überschreiten.

• I dispositivi USB collegati non devono superare un ingresso di corrente di 900mA.

• Bağlanan USB aygıtları 900mA giriş akımını geçmemelidir.

• Dispositivos USB conectados não devem exceder uma corrente de entrada de 900mA.

• Подключенные USB-устройства не должны превышать входной ток 900mA.

• 接続されたUSB機器は900mAの入力電流を超えてはいけません。

• 연결된 USB 장치는 900mA의 입력 전류를 초과하지 않아야합니다.

• 連接的USB設備不應超過900mA的輸入電流。

• 連接的USB设备不应超过900mA的输入电流。