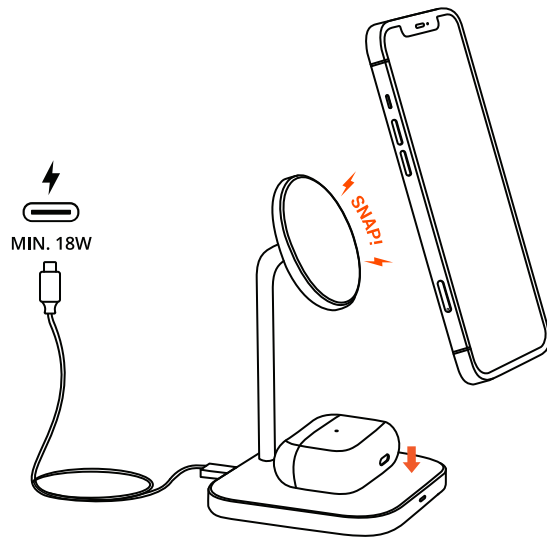


OUTSIDE

CHARGING YOUR DEVICES

CHARGER VOS APPAREILS | CARGA TUS DISPOSITIVOS | LADEN SIE IHRE GERÄTE AUF | ACCENDE/ CARICA I TUOI DISPOSITIVI | CİHAZLARINIZI ŞARJ ETME | CARRREGANDO SEUS DISPOSITIVOS | ЗАРЯДКА ВАШИХ УСТРОЙСТВ | デバイスの充電 | 장치 충전 | 為您的設備充電 | 为您的设备充电



This device complies with part 15 of the FCC rules. Operation is subject to the following two conditions:
1. This device may not cause harmful interference and
2. This device must accept any interference received, including interference that may cause undesired operation.

Note: This Equipment has been tested and found to comply with the limits for a class B digital device, pursuant to Part 15 of the Federal Communications Commission (FCC) rules. These limits are designed to provide reasonable protection against harmful interference in a residential installation. This equipment generates, uses, and can radiate radio frequency energy and, if not installed and used in accordance with the instructions, may cause harmful interference to radio communications. However, there is no guarantee that interference will not occur in a particular installation. If this equipment does cause harmful interference to radio or television reception, which can be determined by turning the equipment off and on, the user is encouraged to try to correct the interference by one or more of the following measures:

- 1.1. Reorient or relocate the receiving antenna
 - 1.2. Increase the separation between the equipment and receiver
 - 1.3. Connect the equipment into an outlet on a circuit different from that to which the receiver is connected
 - 1.4. Consult the dealer or an experienced radio/TV technician for help
- Changes or modifications not expressly approved by the manufacturer could void the user's authority to operate the equipment.



Satechi declares that this product is in compliance with the essential requirements and other relevant provisions of applicable EC directives. For Europe, a copy of the Declaration of Conformity for this product may be obtained by visiting www.satechi.net/doc



Инструкция по безопасности
 Импортер: ООО «Дихаус», Адрес: Россия, 105066, Москва, ул. Доброслободская, д. 5, стр. 1, комната 10. Претензии принимаются по адресу: Россия, 111250, г. Москва, пр-д завода «Серп и Молот», д. 6, к.1.
 Страна-изготовитель: Китай. Фирма-изготовитель: Сарьяна ПЛС 7365 Миссон Джордж Роуд Сунт #Джи, г. Сан Диего, Калифорния 92120 США.
 Срок службы 1 год. Срок гарантии 1 год с момента продажи. Условия гарантии: соблюдение условий использования. Условия использования: при температуре от +10°C до +35°C. беречь от влаги и механических воздействий, не располагать легко воспламеняющиеся предметы в непосредственной близости с устройством. После использования утилизировать.
 Дата изготовления и информация о соответствии требованиям ТР ТС указаны на розничной упаковке изделия.

+1 858 268 1800 support@satechi.com

S A T E C H I

2-IN-1 MAGNETIC WIRELESS CHARGING STAND

User Manual

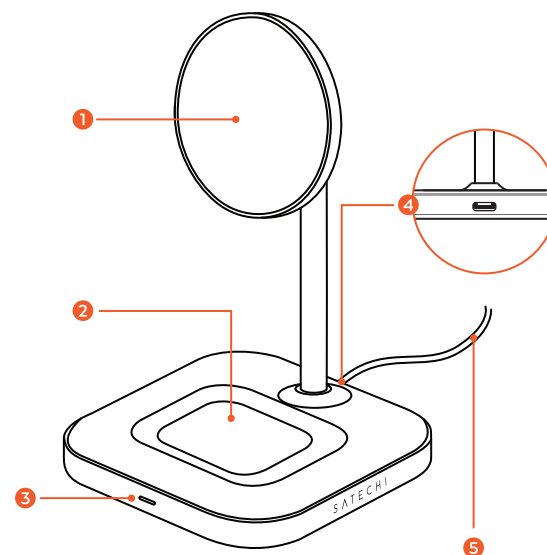


Manuel d'utilisateur | Manual de usuario | Bedienungsanleitung | Manuale dell'utente | Kullanım kılavuzu | Manual do usuário | Руководство пользователя | ユーザーマニュアル | 사용 설명서 | 用戶手冊 | 用戶手冊

INSIDE

FUNCTIONS

FONCTIONS | FUNCIONES | FUNKTIONEN | FUNZIONI | FONKSIYONLAR | FUNÇÕES | ФУНКЦИИ | 機能 | 기능 | 功能 | 功能



1. Magnetic Wireless Charger (Max. 15W)

Chargeur sans fil magnétique (Max 15W) | Cargador inalámbrico magnético (máx. 15W) | Magnetisches kabelloses Ladegerät (Max. 15W) | Caricatore wireless magnetico (max 15 W) | Manyetik Kablosuz Şarj Cihazı (Maks. 15 W) | Carregador magnético sem fio (máx. 15W) | Магнитное беспроводное зарядное устройство (макс. 15 Вт) | 磁気ワイヤレス充電器 (最大15W) | 마그네틱 무선 충전기 (최대 15W) | 磁力充電器 (最大15W) | 磁力充电器 (最大15W)

2. Qi Charger for AirPods (Max. 5W)

Qi Charger (Max 5W) | Cargador Qi (Max 5W) | Qi-Ladegerät (Max. 5W) | Caricabatterie Qi (max 5 W) | Qi Şarj Cihazı (Maks. 5W) | Carregador Qi (máx. 5 W) | Зарядное устройство Qi (макс. 5 Вт) | Qi차ージャー (最大5W) | Qi충전기 (최대 5W) | Qi充電器 (最大5W) | Qi充电器 (最大5W)

3. LED Indicator

Indicateur LED | Indicador LED | LED-Anzeige | Indicatore LED | LED göstergesi | Indicator LED | Светодиодный индикатор | LED 인ジケーター | LED 표시기 | LED 指示燈 | LED 指示灯

4. USB-C Connector

Connecteur USB-C | Conector USB-C | USB-C Anschluss | Connettore USB-C | USB-C Konektörü | Conector USB-C | Коннектор USB-C | USB-Cコネクター | USB-C 커넥터 | USB-C 接口 | USB-C 接口

5. 1M/3.28FT Cable

Câble 1M / 3,28FT | Cable de 1 m / 3,28 pies | 1 m / 3,28 ft Kabel | Cavo da 1 m / 3,8 piedi | 1M / 3.8FT Kablo | Cabo 1M / 3.8FT | Кабель 1 м / 3,8 футов | 1M / 3.8FT케이블 | 1M / 3.8FT 케이블 | 1M / 3.8FT電纜 | 1M / 3.8FT电缆

IMPORTANT

IMPORTANT | IMPORTANTE | WICHTIG | IMPORTANTE | ÖNEMLI | IMPORTANTE | ВАЖНО | 重要 | 중대한 | 重要事項 | 注意

• Do not place any metallic objects onto the charger.

• Ne placez aucun objet métallique sur le chargeur.

• No coloque ningún objeto metálico sobre el cargador.

• Legen Sie bitte keine Metallgegenstände auf das Ladegerät.

• Non posizionare oggetti metallici sul caricatore.

• Şarj cihazının üzerine metal cisimler koymayın.

• Não coloque objetos metálicos no carregador.

• Не кладите металлические предметы на зарядное устройство.

• 充電器の上に金属物を置かないでください。

• 충전기에 금속성 물체를 두지 마십시오.

• 請勿在充電器上放置任何金屬物品。

• 請勿在充電器上放置任何金屬物品。